



Spare Parts Catalogue

PFAFF 134

G. M. PFAFF AG, Sewing Machine Factory, KAISERSLAUTERN

Preface

This parts catalogue contains the head parts, arm parts, bedplate parts and accessories for the PFAFF 134-0-6 as well as organizational parts for PFAFF machines 134-0-6 N 10, 134-0-K-6, 134-0-4, 134-0-31 and 134-0-92, and obsolete parts.

As far as feasible, the component parts illustrated are arranged according to their disposition in the machine.

The underlined part numbers signify assemblies which are made up of component parts.

For special subclass organizations, such as feed dogs, needle plates, etc., which are not listed in this catalogue, please refer to the Attachments Catalogue.

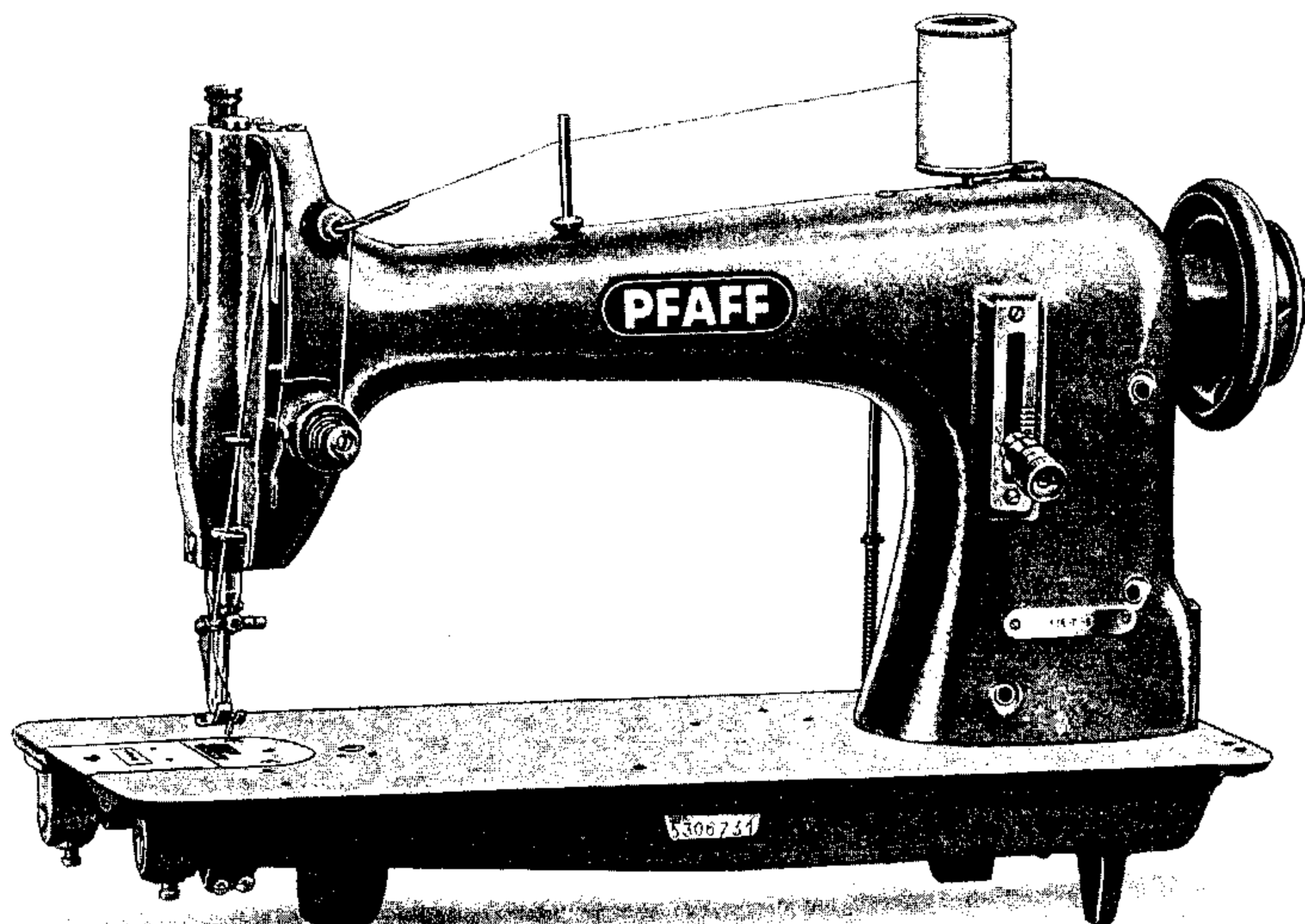
A numerical index of all parts listed is included on the last pages.

Part number changes will be published on correction sheets.

All rights reserved.

February 1959

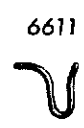
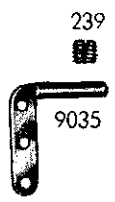
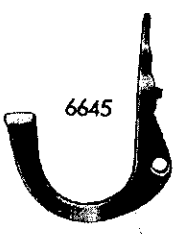
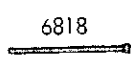
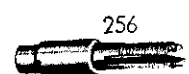
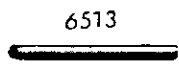
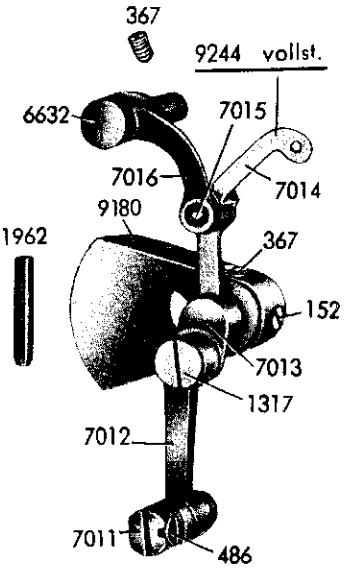
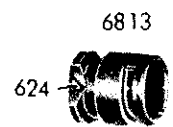
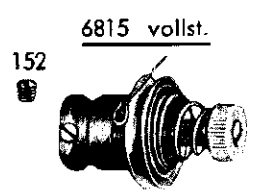
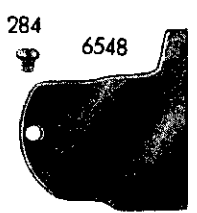
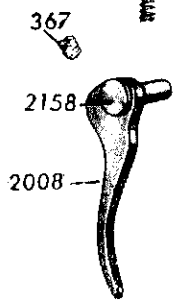
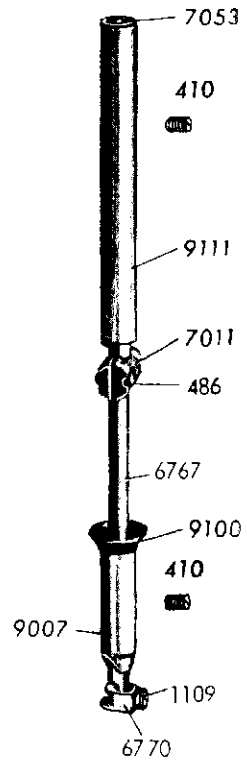
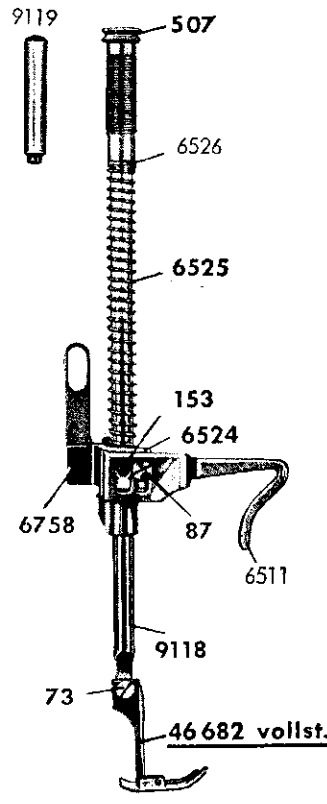
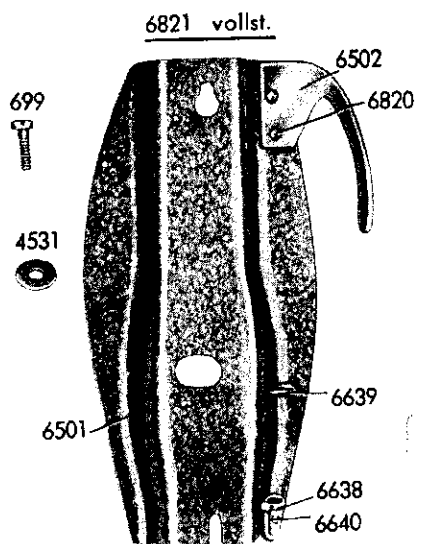
G. M. PFAFF AG
Sewing Machine Factory



Single-Needle Flat-Bed Sewing Machines

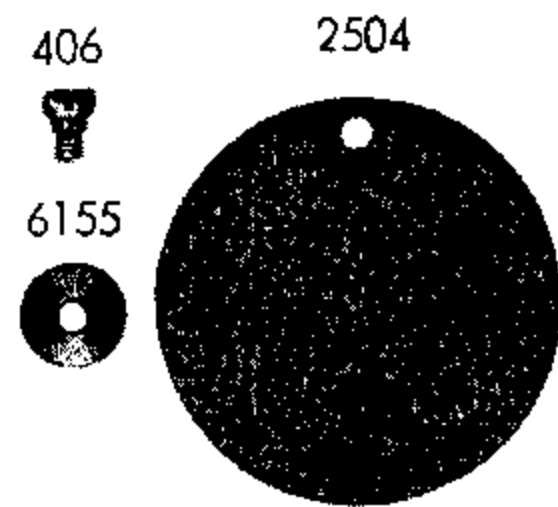
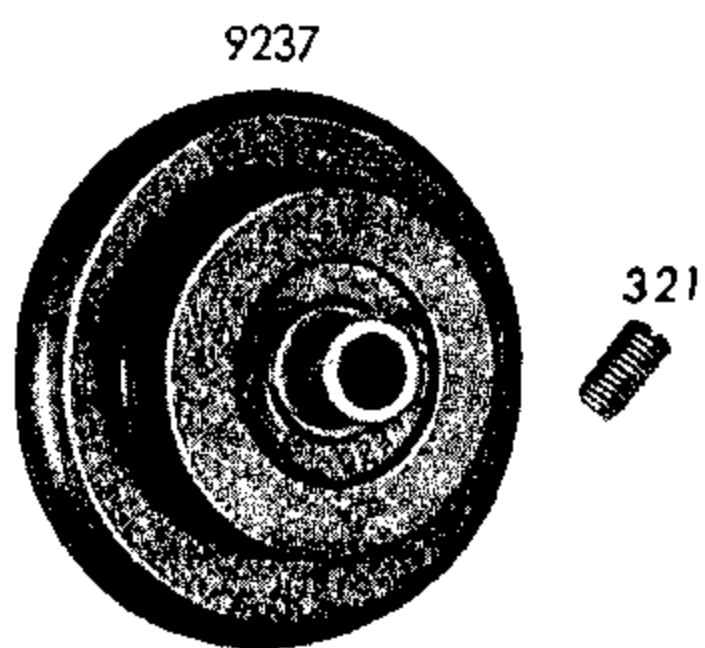
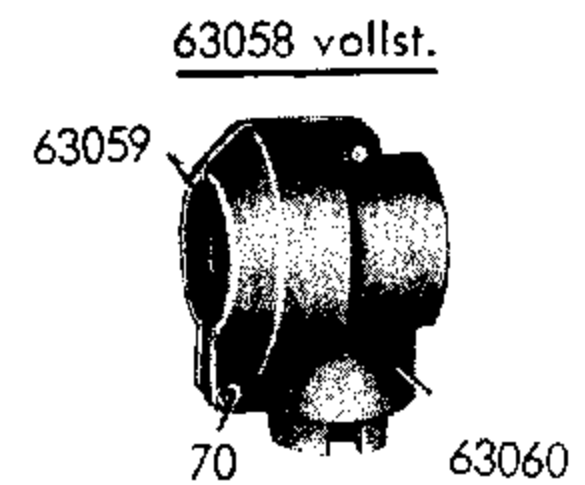
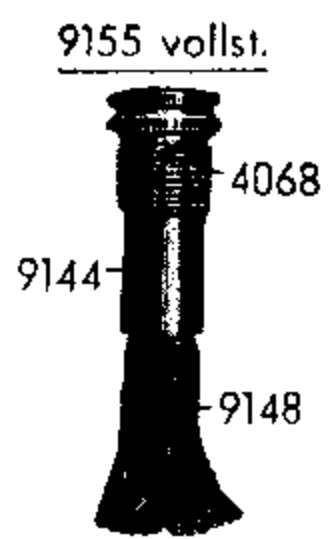
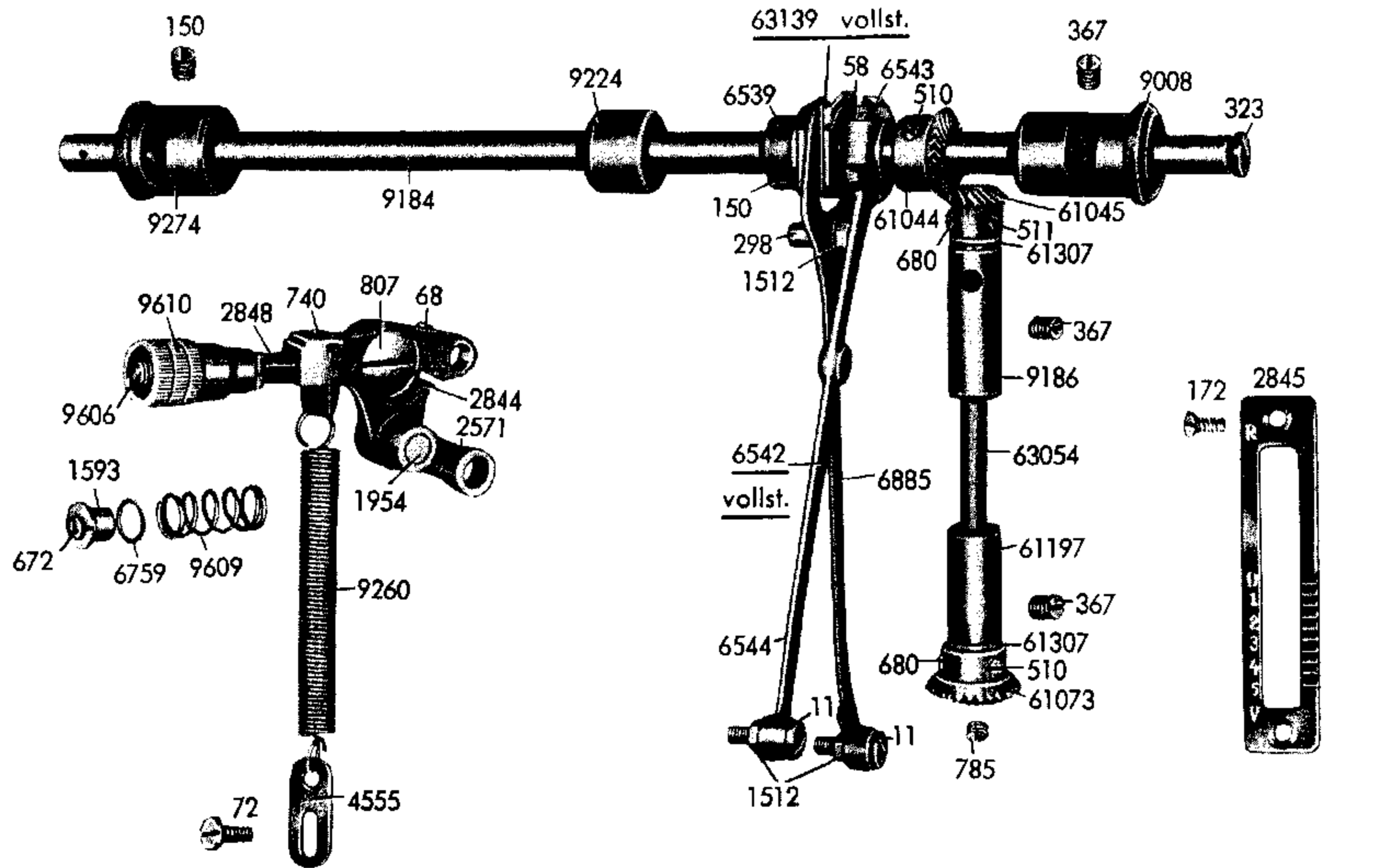
- PFAFF 134-0-6** Single-needle flat-bed sewing machine with link take-up, bevel gear driven horizontal rotary hook and spring-return feed regulator. Sewing forward and reverse.
- PFAFF 134-0-6 N 10** Same as PFAFF 134-0-6, but making **2 $\frac{1}{2}$ stitches per inch.**
- PFAFF 134-0-K-6** Same as PFAFF 134-0-6, but with positive **bobbin case opener.**
- PFAFF 134-0-4** Same as PFAFF 134-0-6, but with **roller presser.**
- PFAFF 134-0-31** Same as PFAFF 134-0-6, but with vertical **trimmer** driven by eccentric from the arm and cutting to the right and back of the needle.
- PFAFF 134-0-92** Same as PFAFF 134-0-6, but with **double thread tension** and needle bar for **two needles.**

Head Parts



73	Fastening screw for No. 46682	6638	Thread guide, lower, for No. 6501
87	Fastening screw for No. 6511	6639	Thread guide, upper
152	Fastening screw for Nos. 6815; 7013	6640	Rivet for Nos. 6638; 6639
153	Fastening screw for No. 6524	6645	Tension release lever
239	Fastening screw for No. 9035	* 6758	Presser bar lifting bracket
256	Tension stud	* 6767	Needle bar
284	Fastening screw for No. 6548	* 6770	Needle holder
367	Fastening screw for Nos. 2158; 6632 and set screw for No. 7013	6813	Thread check spring regulator
410	Fastening screw for Nos. 9007; 9111	6814	Thread check spring
* 486	Binding screw for No. 7011	6815	Thread tension, complete, consisting of Nos. 256; 624; 1522; 2065; 6584; 6813; 6814; 6818; 10181
507	Pressure regulating screw	6818	Tension release plunger
624	Fastening screw for No. 256	6820	Rivet for No. 6502
* 699	Fastening screw for No. 6821	6821	Face plate, complete, consisting of Nos. 6501; 6502; 6638; 6639; 6640; 6820
1109	Fastening screw for No. 6770	7011	Needle bar connecting stud
* 1317	End screw for No. 7013	7012	Needle bar connecting link
1522	Thumb nut for No. 256	7013	Take-up crank
* 1962	Pin, notched, for No. 9180	7014	Take-up lever
2008	Presser bar lifter	7015	Take-up lever hinge pin
2065	Tension disc	7016	Take-up lever link
2158	Hinge stud for No. 2008	7053	Presser bar cap for No. 9111
4531	Washer for No. 699	* 8199	Presser bar spring, inner
5544	Oil tube, 1" long, for No. 7014	8618	Oil tube, 1½" long, for No. 7016
5604	Oil tube, 2" long, for No. 7012	9007	Needle bar bushing, lower
6501	Face plate	* 9035	Thread retainer
6502	Take-up lever guard	9100	Oil plug for No. 9007
6511	Thread regulator	9111	Needle bar bushing, upper
6513	Hinge pin	9118	Presser bar
6514	Pressure spring	9119	Stud, spring-loaded, for No. 8199
6524	Presser bar guide collar	* 9180	Needle bar crank
6525	Presser bar spring, outer	9244	Take-up lever, complete, consisting of Nos. 486; 1317; 6632; 7011; 7012; 7013; 7014; 7015; 7016
6526	Washer for No. 6525	10181	Tension release washer
6548	Head back cover	46682	Presser foot, hinged, complete, consisting of No. 1952 Hinge pin No. 42900 Shoe No. 46683 Shank
6584	Tension spring	46861	Finger guard
6611	Thread guide, lower		
6616	Oil wick for Nos. 5544; 8618		
6617	Oil wick for No. 5604		
6632	Hinge stud for No. 7016		

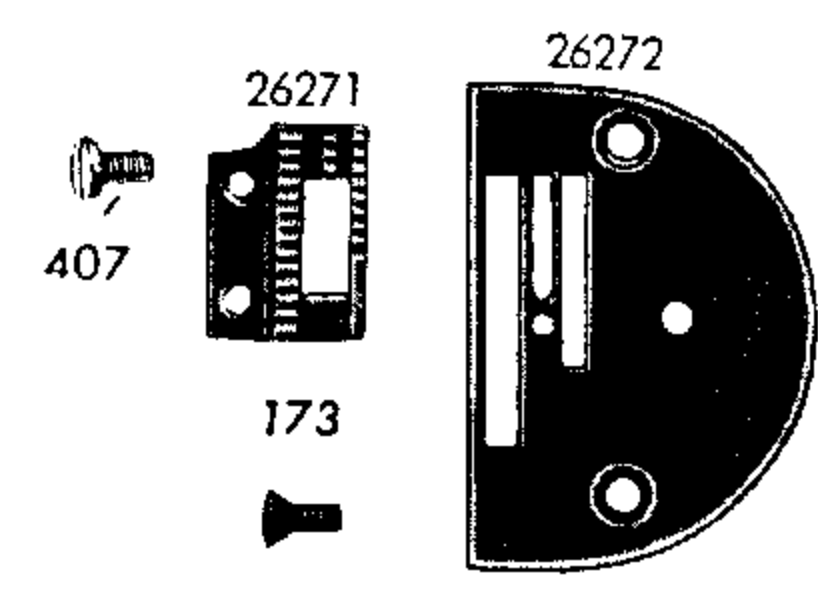
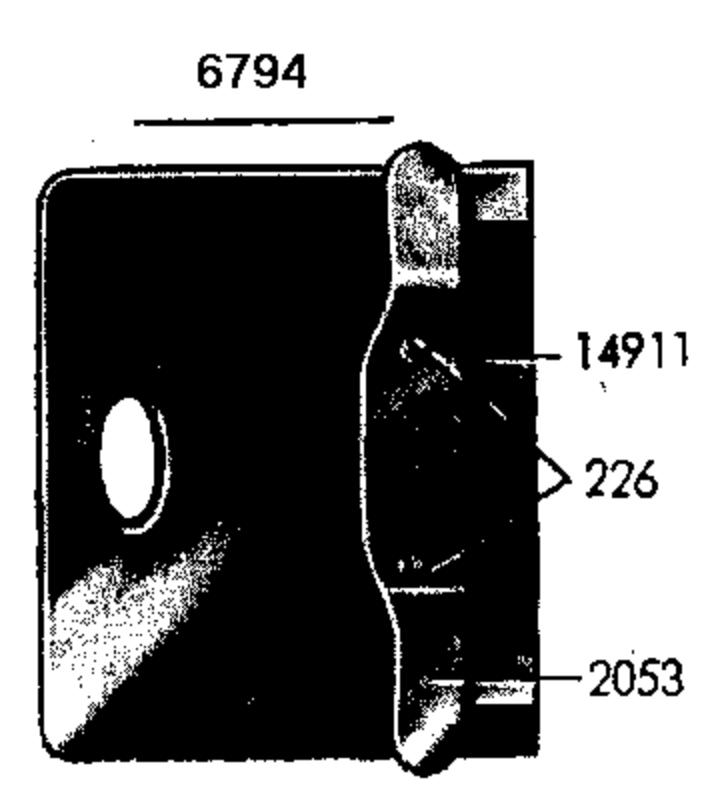
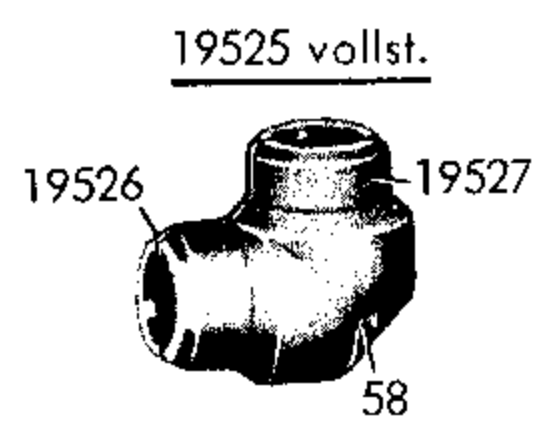
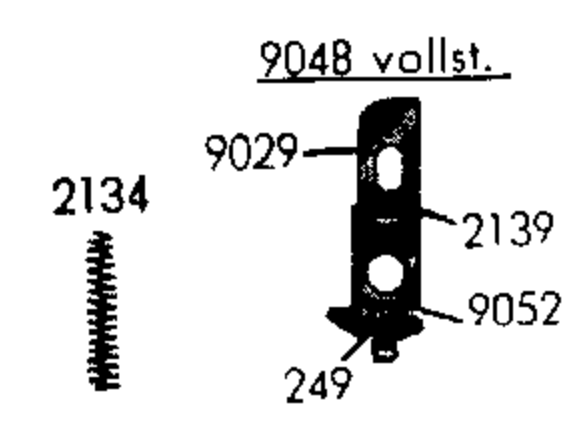
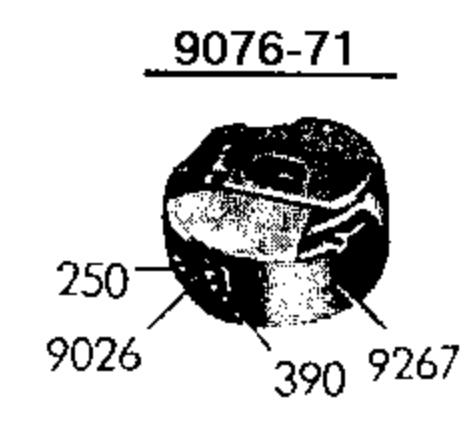
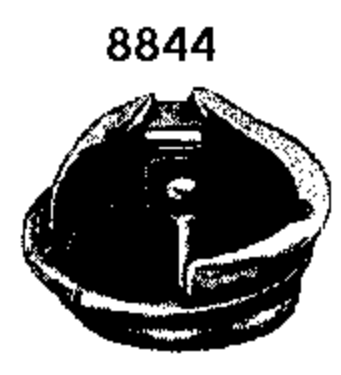
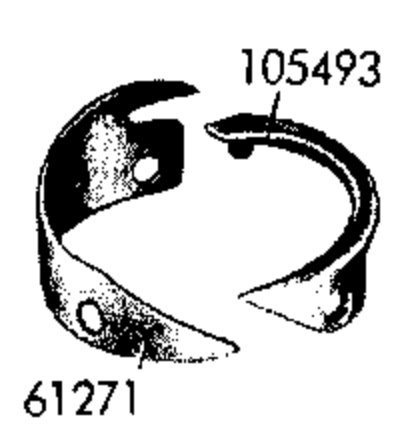
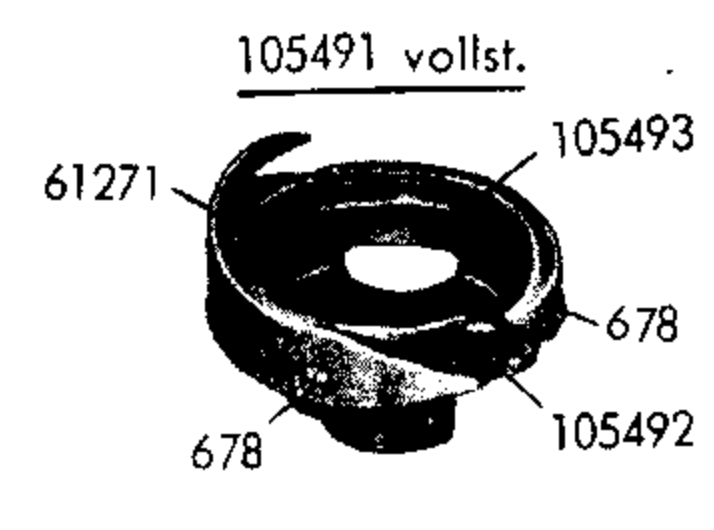
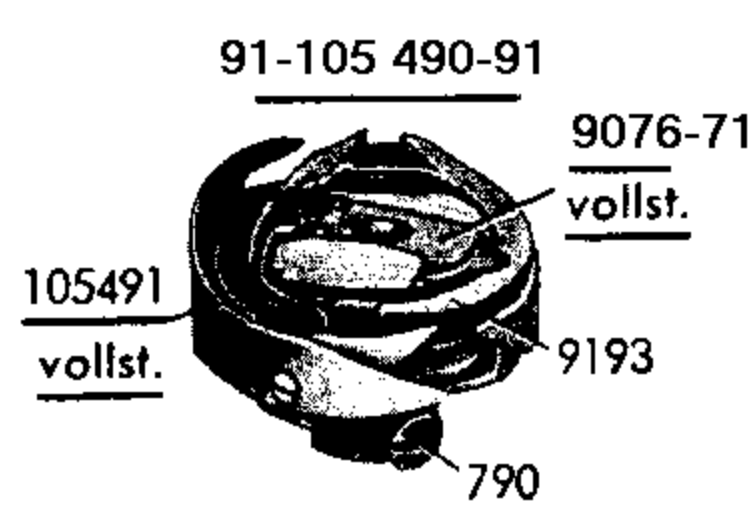
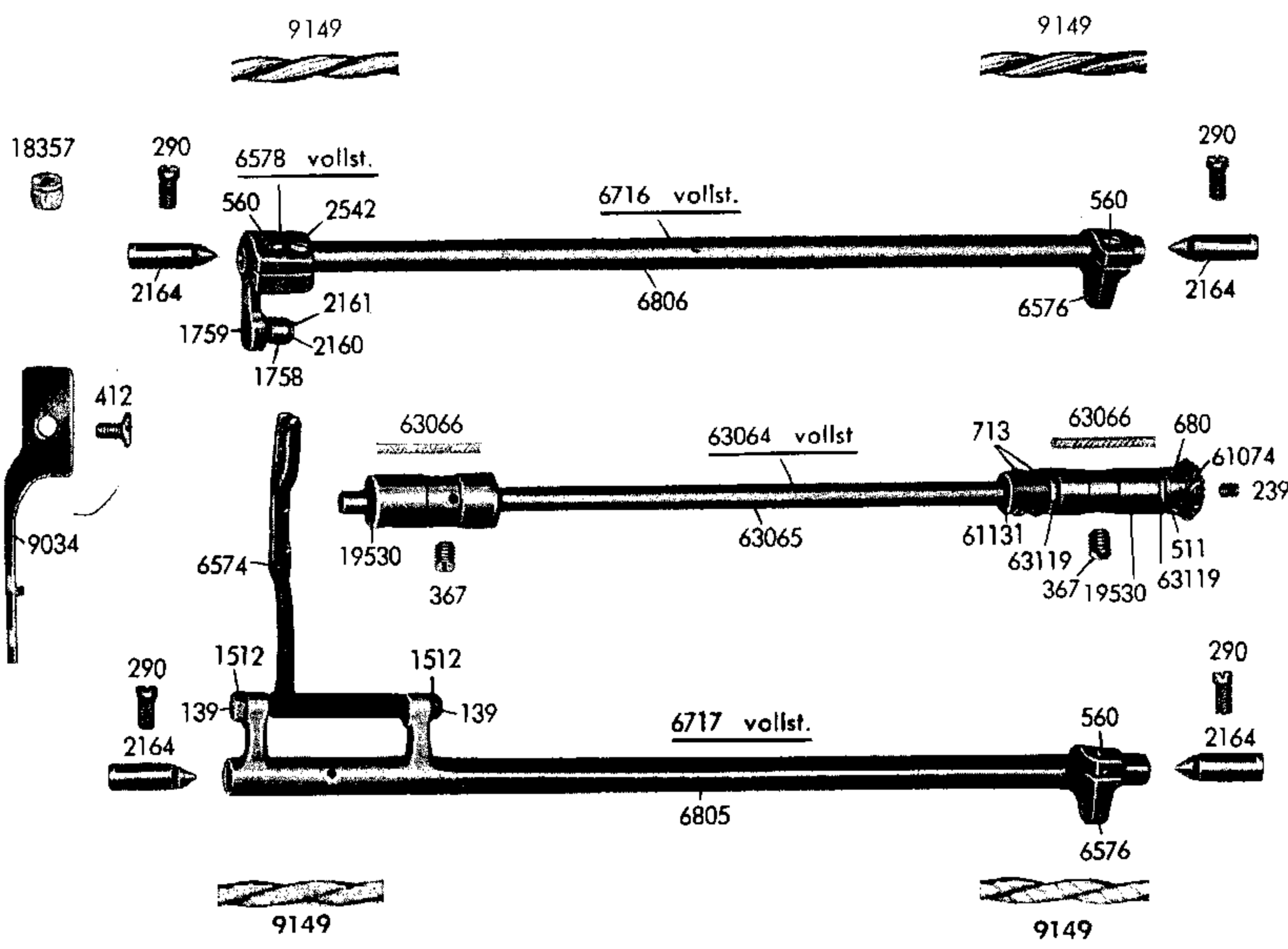
Arm Parts



- | | | | |
|-------------|----------------------------------------------------------------------|----------------|-------------------------------------------------------------------------------------------------------------------------------------------------|
| 11 | Hinge screw for Nos. 6542; 6885 | 6759 | Washer for No. 9609 |
| 58 | Fastening screw for No. 6543 | 6885 | Feed forked connection |
| 68 | Binding screw for No. 2844 | 8617 | Oil tube, 1 ³ / ₁₆ " long, for Nos. 6885; 9224 |
| 70 | Fastening screw for No. 63058 | 8618 | Oil tube, 1 ²⁹ / ₆₄ " long, for No. 9184 |
| 72 | Fastening screw for No. 4555 | 9008 | Arm shaft bushing, rear |
| 150 | Fastening screw for Nos. 6539; 9274 | 9144 | Oil packing screw for No. 9155 |
| 172 | Fastening screw for No. 2845 | 9148 | Oil wick for No. 9155 |
| 298 | Hinge screw for No. 2571 | <u>9155</u> | Oil packing screw, complete, consisting of Nos. 4068; 9144; 9148 |
| 321 | Fastening screw for No. 9237 | ★ 9184 | Arm shaft |
| 323 | End screw for No. 9184 | ★ 9186 | Vertical shaft bushing, upper (3/8" inside diameter) |
| ★ 367 | Fastening screw for Nos. 9008; 9186; 61197 | 9224 | Arm shaft bushing, center |
| ★ 406 | Fastening screw for No. 2504 | 9237 | Balance wheel |
| 510 | Fastening screw for Nos. 61044; 61073 | ★ 9260 | Feed regulator tension spring |
| ★ 511 | Fastening screw for No. 61045 | ★ 9273 | Oil tube, 1 ¹⁹ / ₆₄ " long, for Nos. 9186; 61197 |
| 672 | Pinch screw for No. 1593 | ★ 9274 | Arm shaft bushing, front |
| 680 | Fastening screw for Nos. 61045; 61073 | 9606 | Feed regulator lever stud |
| ★ 740 | Fastening screw for No. 9606 | 9609 | Feed regulator knob spring for No. 9610 |
| 785 | End screw for No. 63054 | 9610 | Feed regulator knob |
| 807 | Hinge screw for No. 2844 | ★ 18357 | Oil cup for No. 9274 |
| 1512 | Nut for Nos. 11; 298 | 29030 | Spool pin washer |
| 1593 | Nut for No. 9609 | 29092 | Model plate (w/o ill.) |
| ★ 1954 | Hinge stud for No. 2844 | 29140 | Pin, notched, for No. 29092 (w/o ill.) |
| 2177 | Spool pin | ★ 61044 | Arm shaft bevel gear (37/64" inside diameter) |
| 2504 | Arm cover, rear | ★ 61045 | Vertical shaft bevel gear, upper (3/8" inside diameter) |
| 2571 | Feed regulator link | ★ 61073 | Vertical shaft bevel gear, lower (3/8" inside diameter) |
| 2844 | Feed regulator | ★ 61197 | Vertical shaft bushing, lower (3/8" inside diameter) |
| 2845 | Feed regulator index plate | 61307 | Spacer for Nos. 9186; 61197 |
| 2848 | Feed regulator lever stud guide | ★ 63054 | Vertical shaft (3/8" outside diameter) |
| 4068 | Position pin for No. 9144 | ★ <u>63058</u> | Bevel gear case, upper, complete, consisting of Nos. 70; 63059; 63060 |
| 4555 | Spring suspension plate | ★ 63059 | Bevel gear case section |
| 5604 | Oil tube, 2" long, for No. 63067 (see page III) | ★ 63060 | Bevel gear case section, with threaded borehole |
| ★ 6155 | Spring washer for No. 2504 | <u>63139</u> | Feed driving eccentric sleeve, complete, consisting of
No. 6540 Feed driving eccentric sleeve
No. 46884 Position pin
No. 64583 Oil pad |
| 6539 | Feed eccentric | 9109 | Arm (w/o ill.) |
| <u>6542</u> | Feed lifting connection, complete, consisting of Nos. 58; 6543; 6544 | 9013 | Bedplate, with 4 arm screws No. 352 and 2 dowel pins No. 6531 (w/o ill.) |
| 6543 | Feed lifting connection cap | | |
| 6544 | Feed lifting connection | | |
| 6553 | Thread guide | | |
| 6616 | Oil wick for No. 9273 | | |
| 6617 | Oil wick for Nos. 5604; 8617; 8618 | | |

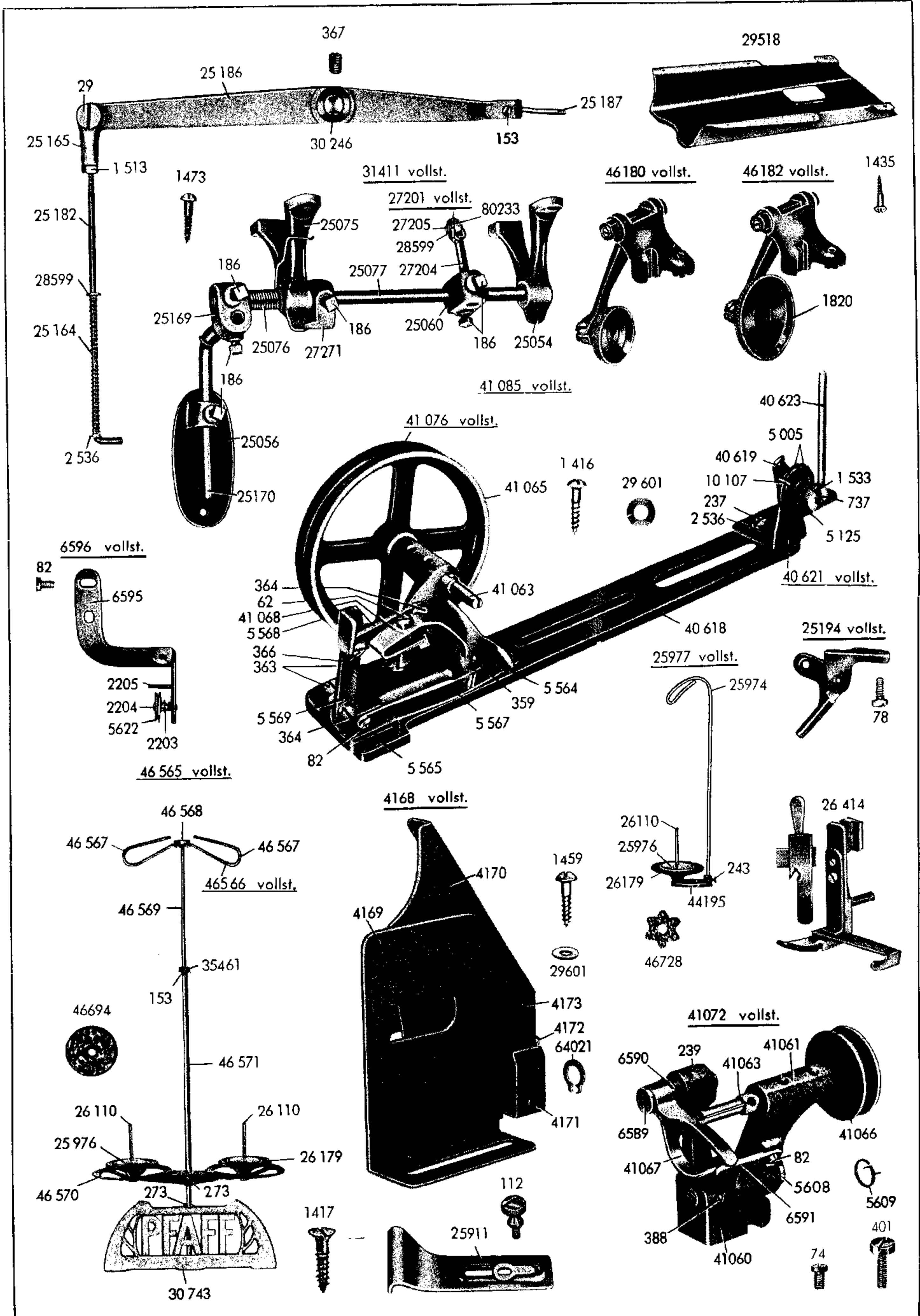


Bed Plate Parts



- 58 Fastening screw for No. 19525
- 139 Center screw for No. 6574
- 173 Fastening screw for No. 26272
- 226 Fastening screw for No. 2053
- 239 End screw for No. 63065
- 249 Stop screw for No. 9052
- 250 Regulating screw for No. 9026
- 290 Fastening screw for No. 2164
- 367 Fastening screw for No. 19530
- 390 Fastening screw for No. 9026
- 407 Fastening screw for No. 26271
- 412 Fastening screw for No. 9034
- 511 Fastening screw for No. 61074
- 560 Binding screw for Nos. 6576; 6578
- 678 Fastening screw for Nos. 61271; 105493
- * 680 Fastening screw for No. 61074
- 713 Fastening screw for No. 61131
- 790 Fastening screw for No. 105491
- 1512 Nut for No. 139
- 1758 Roller for No. 6578
- 1759 Roller stud for No. 1758
- 2053 Spring for No. 6656
- 2134 Pressure spring for No. 9052
- 2139 Bobbin case latch hinge pin for No. 9029
- 2160 Washer for No. 1758
- 2161 Rivet for No. 1758
- 2164 Center pin for Nos. 6805; 6806
- 2542 Feed lifting shaft crank, front
- 6574 Feed bar
- 6576 Feed lifting shaft crank and feed rock shaft crank, rear
- 6578 Feed lifting shaft crank, front, complete, consisting of Nos. 560; 2160; 2161; 2542
- 6716 Feed lifting shaft, complete, consisting of Nos. 1758; 1759; 6576; 6578, complete; 6806; 9149
- 6717 Feed rock shaft, complete, consisting of Nos. 139; 560; 1512; 6574; 6576; 6805; 9149
- 6805 Feed rock shaft
- 6806 Feed lifting shaft
- 9026 Tension spring for No. 9266
- 9029 Bobbin case latch lever for No. 9048
- 9033 Bobbin
- 9034 Bobbin case position finger bracket
- 9048 Bobbin case latch, complete, consisting of Nos. 2139; 9029; 9052
- 9052 Bobbin case latch slide
- 9054 Bed slide, complete, consisting of Nos. 226; 2053; 6556
- 9149 Oil wick for Nos. 6805; 6806
- * 9191 Hook, with bobbin case, complete, consisting of Nos. 790; 9193; 9266, complete; 105491, complete
- 9193 Bobbin case base
- 9266 Bobbin case cap, complete, consisting of Nos. 249; 250; 390; 2134; 9026; 9048, complete; 9267
- 9267 Bobbin case cap
- 14911 Bed slide
- * 18357 Oil cup for No. 19530
- * 19525 Bevel gear case, lower, complete, consisting of Nos. 58; 19526; 19527
- * 19526 Bevel gear case section
- * 19527 Bevel gear case section, with threaded borehole
- * 19530 Hook shaft bushing, front and rear (.277" inside diameter)
- 26271 Feed dog, 2 $\frac{1}{2}$ row tooth pattern (sawtooth cut)
- 26272 Bedplate for No. 26271
- * 61074 Hook shaft bevel gear (.277" inside diameter)
- 61131 Set collar for No. 63065
- 61271 Thread pull-off flange
- 63064 Hook shaft, complete, consisting of Nos. 239; 63065; 63066
- 63065 Hook shaft (.277" outside diameter)
- 63066 Oil wick for No. 63065
- 63119 Spacer for No. 19530
- 105491 Hook, complete, consisting of Nos. 678; 61271; 105492; 105493
- 105492 Hook
- 105493 Hook gib

Organizational Parts



- 29 Hinge screw for No. 25165
 62 Set screw for No. 41068
 74 Set screw for No. 41060
 78 Fastening screw for No. 25194
 82 Fastening screw for Nos. 5567; 6591; 6595
 112 Attachment screw for No. 25911
 153 Fastening screw for Nos. 25187; 35461
 186 Fastening screw for No. 31411
 237 Fastening screw for No. 40621
 239 Fastening screw for No. 6589
 243 Fastening screw for No. 25974
 273 Fastening screw for Nos. 30743; 46570
 359 Hinge screw for Nos. 5564; 5565
 363 Fastening screw for No. 41076
 364 Fastening screw for Nos. 5568; 5569
 366 Hinge screw for Nos. 5568; 5569
 367 Fastening screw for No. 30246
 388 Fastening screw for No. 5608
 401 Fastening screw for No. 41072
 737 Tension stud for No. 40621
 1416 Wood screw for No. 41085
 1417 Wood screw for Nos. 25977; 46565
 1435 Wood screw for No. 29518
 1459 Wood screw for No. 4168
 1473 Wood screw for No. 31411
 1513 Nut for Nos. 25165; 25182
 1533 Tension stud nut for No. 40621
 2203 Tension spring for No. 6596
 2204 Tension stud for No. 6596
 2205 Guide pin for No. 6595
 2536 Washer for Nos. 237; 25164; 25182
 4168 Belt guard, complete, consisting of Nos. 4169; 4170; 4171; 4172; 4173; 64021
 4169 Belt guard bracket
 4170 Belt guard
 4171 Bearing stud for Nos. 4169; 4170
 4172 Torsion spring for No. 4170
 4173 Guide stud for No. 4170
 5005 Tension disc for No. 40621
 5125 Tension spring for No. 40621
 5564 Bobbin winder frame for No. 41085
 5565 Bobbin winder frame base for No. 41085
 5567 Bobbin winder frame spring for No. 41085
 5568 Bobbin winder stop latch trip lever for Nos. 5564; 5569
 5569 Bobbin winder engaging lever for No. 5568
 5608 Hinge pin for No. 41061
 5609 Torsion spring for No. 41061
 5622 Tension disc for No. 6596
 6589 Hinge pin for No. 41067
 6590 Spring for No. 41067
 6591 Stop for No. 41067
 6595 Bobbin winder tension bracket for No. 6596
 6596 Bobbin winder tension, complete, consisting of Nos. 2203; 2204; 2205; 5622; 6595
 10107 Position pin for No. 5005
 25054 Rock shaft hanger, rear, for No. 25077
 25056 Knee plate for No. 25170
 25060 Rock shaft lifting bracket for No. 27201
 25075 Rock shaft hanger, front, for No. 25077
 25076 Torsion spring for No. 25170
 25077 Knee lifter rock shaft for No. 31411
 25164 Pressure spring for No. 25182
 25165 Lifting lever connecting rod joint for No. 25182
 25169 Knee plate arm bracket
 25170 Knee plate arm
 25182 Lifting lever connecting rod
 25186 Lifting lever
 25187 Lifting lever pin for No. 25186
 25194 Knee lifter bell crank, complete, consisting of
 No. 1916 Hinge pin
 No. 25184 Bell crank bracket
 No. 25190 Bell crank
 25911 Edge guide
 25974 Thread guide for No. 25977
 25976 Spool cap for No. 26179
 25977 Thread unwinder, complete, consisting of Nos. 243; 25974; 25976; 26110; 26179; 44195; 46728
 26110 Spool pin for Nos. 25977; 46565
 26179 Spool disc
 26414 Edge stitcher with gauge
 27201 Lifting bracket extension stud, complete, consisting of Nos. 27204; 27205; 28599; 80233
 27204 Lifting bracket extension stud for No. 27201
 27205 Stud for No. 80233
 27271 Rock shaft stop dog for No. 25077
 ★ 28599 Grip ring for Nos. 25164; 27205
 29518 Oil drip pan
 29601 Washer for Nos. 1416; 1459
 30246 Hinge stud for No. 25186
 30743 Thread unwinder base for No. 46565
 31411 Knee lifter, complete, consisting of Nos. 186; 25054; 25056; 25060; 25075; 25076; 25077; 25169; 25170; 27201, complete; 27271

- 35461** Set collar for No. 46571
- 40618** Bobbin winder base for No. 41076
- 40619** Bobbin winder tension bracket for No. 40621
- 40621** Bobbin winder tension, complete, consisting of Nos. 737; 1533; 5005; 5125; 10107; 40619; 40623
- 40623** Spool pin for No. 41085
- 41060** Bobbin winder frame base for No. 41072
- 41061** Bobbin winder frame for No. 41072
- 41063** Bobbin winder spindle for Nos. 41072; 41085
- 41065** Bobbin winder pulley for No. 41085
- 41066** Bobbin winder pulley for No. 41072
- 41067** Bobbin winder stop latch for No. 41072
- 41068** Bobbin winder stop latch for No. 41085
- 41072** Bobbin winder, bedplate model, complete, consisting of Nos. 82; 239; 388; 5608; 5609; 6589; 6590; 6591; 41060; 41061; 41063; 41066; 41067
- 41076** Bobbin winder, without base and tension (power driven), complete, consisting of Nos. 62; 82; 359; 364; 366; 5564; 5565; 5567; 5568; 5569; 41063; 41065; 41068
- 41085** Bobbin winder, table model, complete, consisting of Nos. 237; 363; 2536; 40618; 40621, complete; 41076, complete
- 44195** Thread unwinder base for No. 25977
- 46180** Roller presser, sping-up type, $\frac{3}{16}$ " wide, complete, consisting of
 No. 82 Fastening screw for No. 25637
 No. 143 Center screw for No. 46181
 No. 146 Set screw for No. 46181
 No. 225 Fastening screw for No. 42577
 No. 753 End screw for No. 42577
 No. 1525 Nut for Nos. 143; 146
 No. 1821 Roller presser, small
 No. 25635 Roller presser arm bracket
 No. 25637 Leaf spring
 No. 41739 Ball cone
 No. 41829 Position pin for No. 41739
 No. 42577 Roller stud
 No. 46181 Roller presser arm
 w/o No. 30 balls, $\frac{1}{16}$ "
- 46182** Roller presser, swing-up type, $\frac{1}{8}$ " wide, complete, consisting of
 No. 82 Fastening screw for No. 25637
 No. 143 Center screw for No. 46183
 No. 146 Set screw for No. 46183
 No. 225 Fastening screw for No. 46426
 No. 753 End screw for No. 46426
 No. 1525 Nut for Nos. 143; 146
 No. 1820 Roller presser, large
 No. 25635 Roller presser arm bracket
 No. 25637 Leaf spring
 No. 41735 Ball cone
 No. 41829 Position pin for No. 41735
 No. 46183 Roller presser arm
 No. 46426 Roller stud
 w/o No. 24 balls, $\frac{3}{32}$ "
- 46565** Thread unwinder, complete, consisting of Nos. 153; 273; 25976; 26110; 26179; 30743; 35461; 46566, complete; 46570; 46571; 46694
- 46566** Thread guide for No. 46565, complete, consisting of Nos. 46567; 46568; 46569
- 46567** Thread guide wire for No. 46566
- 46568** Thread guide position cup for No. 46567
- 46569** Thread guide rod for No. 46568
- 46570** Spool rest for 46565
- 46571** Spool rest rod for No. 46565
- 46694** Spool pin washer (foam rubber) for No. 46565
- 46728** Spool pin washer (felt) for No. 25977
- 64021** Grip ring for No. 4171
- 80233** Lifting roller for No. 27201

Organizational Parts

PFAFF 134-0-6 N 10

PFAFF 134-0-K-6

V



6883



8645



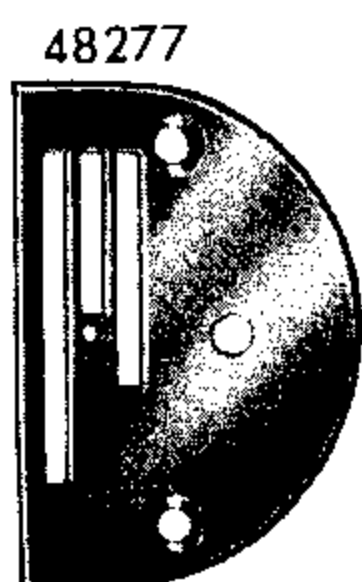
6882



8564



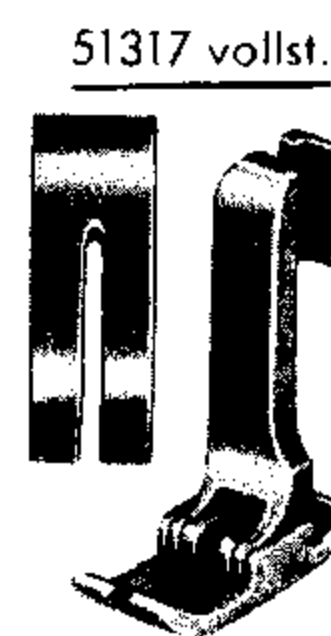
8653



48277

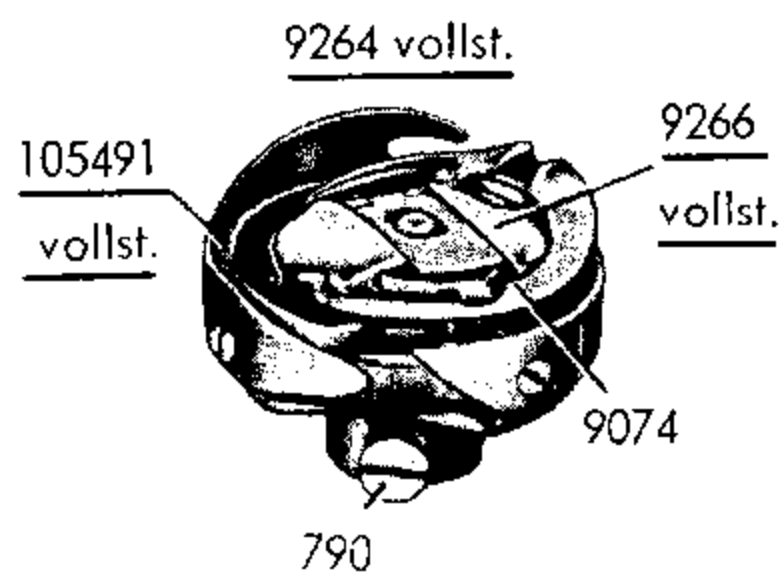


47106



51317 vollst.

PFAFF 134-0-K-6



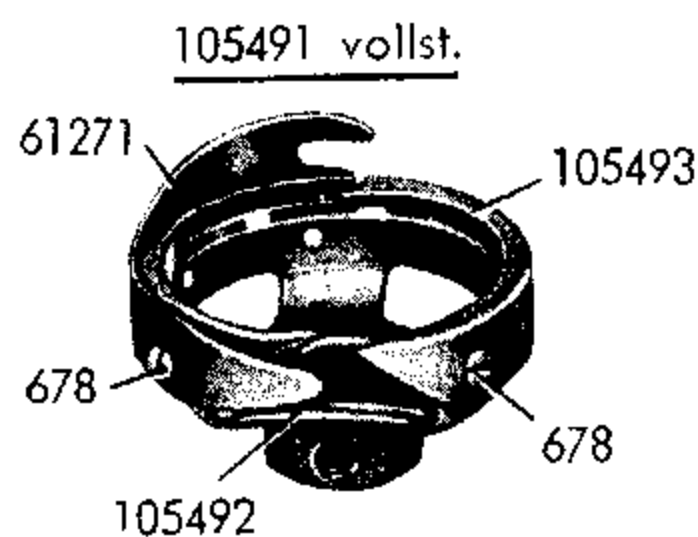
9264 vollst.

105491 vollst.

9266 vollst.

9074

790



105491 vollst.

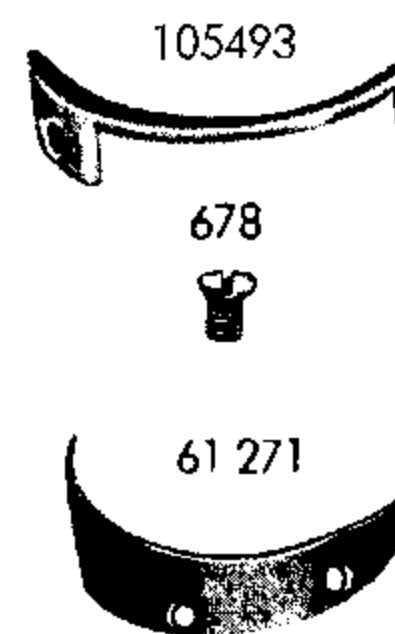
61271

105493

678

678

105492



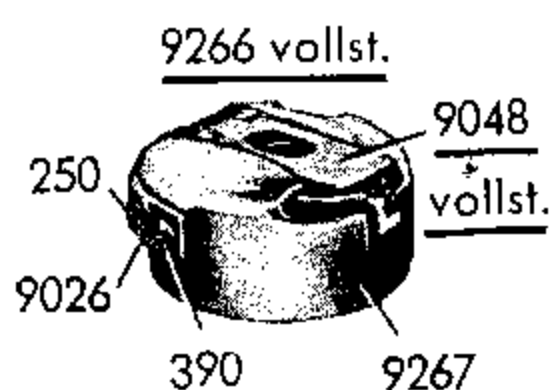
105493

678

61271



9074



9266 vollst.

250

9026

390

9267

9048 vollst.

2134

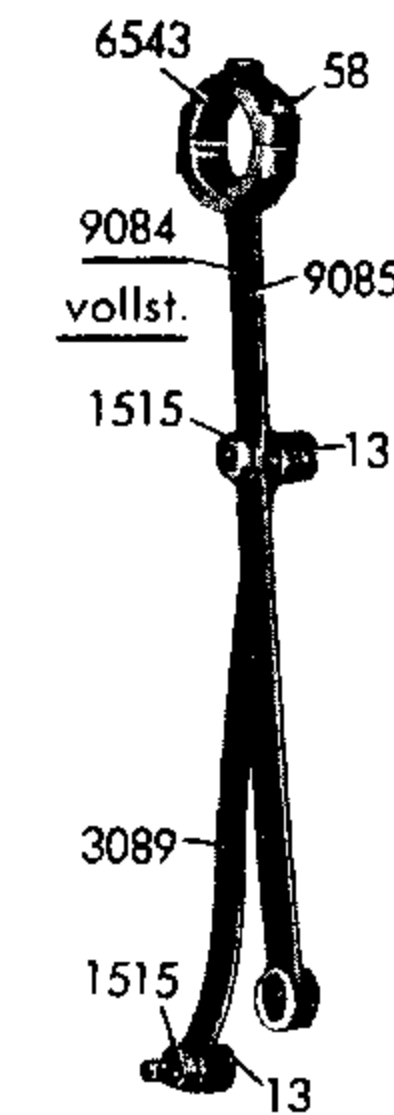
9048 vollstg

9029

2139

9052

249



9084 vollst.

6543

58

9085

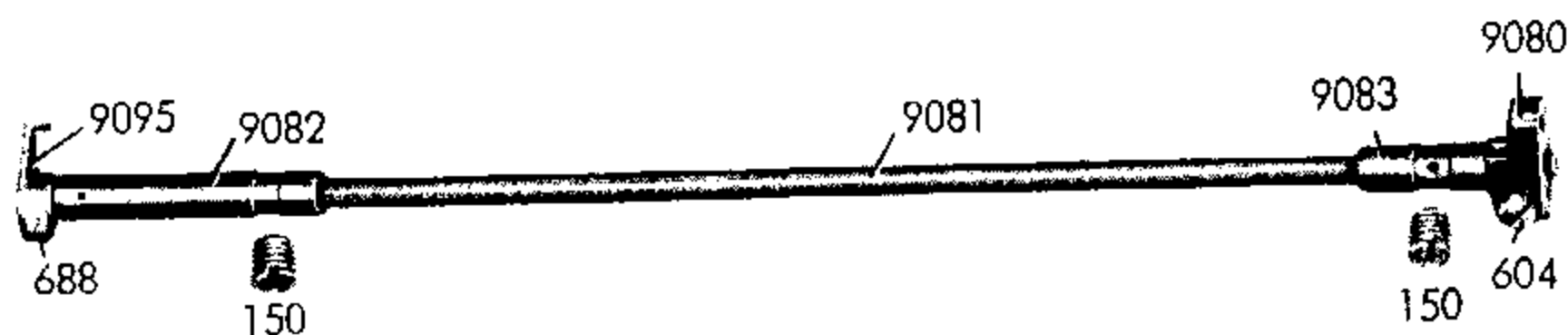
1515

13

3089

1515

13



9095

9082

9081

9083

9080

688

150

150

604

- 6882 Feed eccentric
- 6883 Feed bar
- 8564 Feed regulator link
- 8645 Feed regulator index plate
- 8653 Feed driving connection
- 47106 Feed dog, 2 $\frac{1}{2}$ row tooth pattern
- 48277 Needle plate
- 51317 Presser foot, hinged, complete,
consisting of
No. 1964 Pin
No. 51318 Shoe
No. 51319 Shank

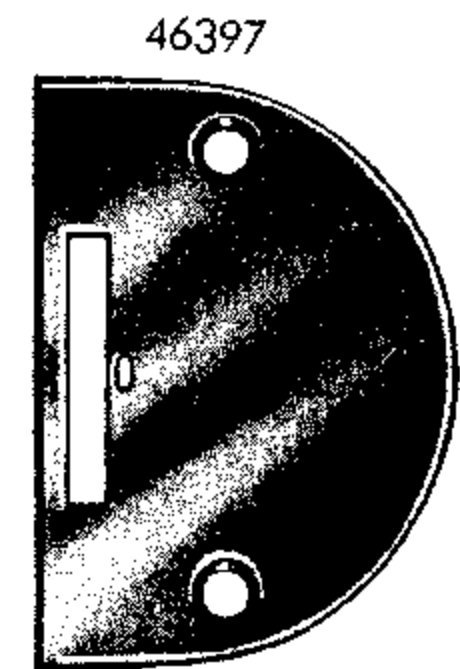
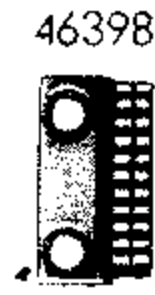
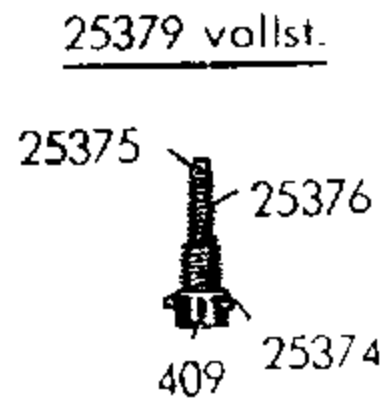
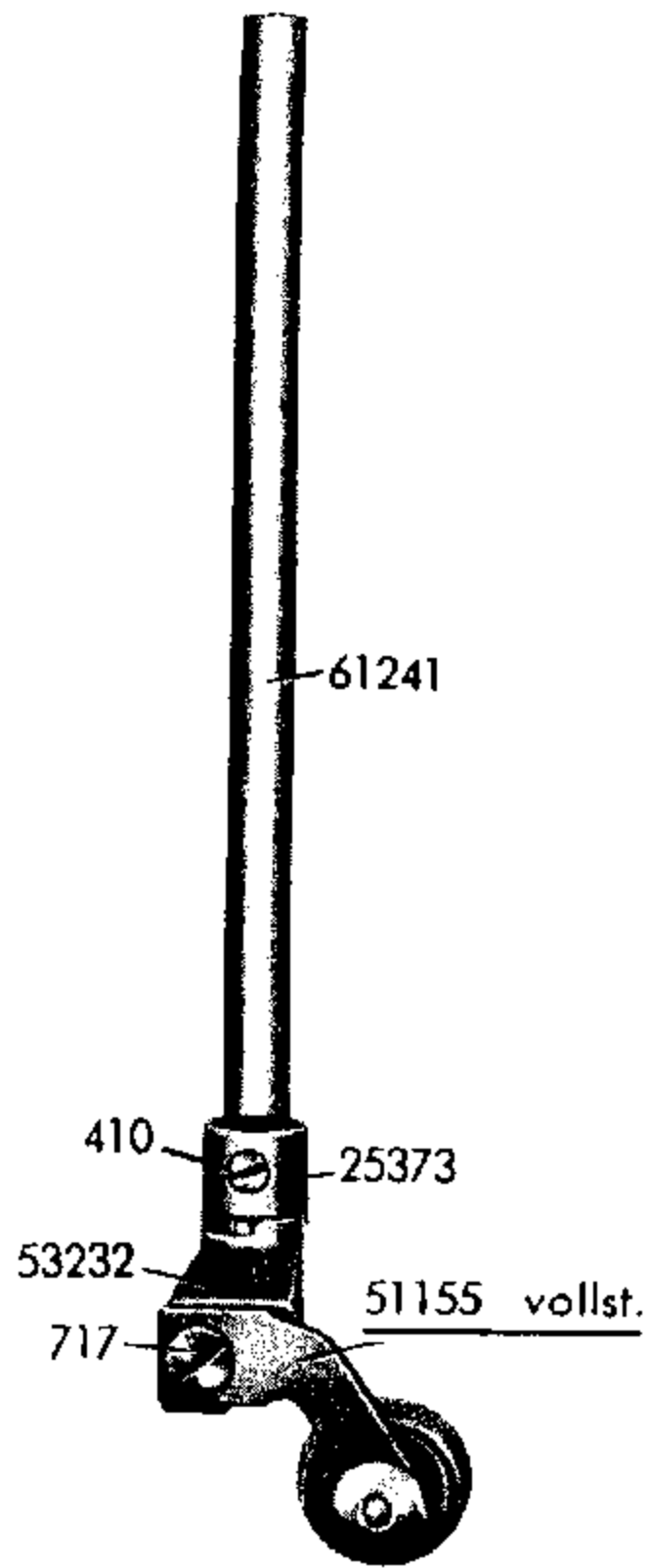
Organizational Parts for the PFAFF 134-0-K-6 standard parts please refer to the PFAFF 134-0-6)

- | | |
|---------------------------------------------------------------------------------|--------------------------------------------------------------------------------------------------------------------|
| 13 Hinge screw for No. 3089 | 9074 Bobbin case base |
| 58 Fastening screw for No. 6543 | 9080 Bobbin case lever shaft crank, rear |
| 150 Fastening screw for Nos. 9082; 9083 | 9081 Bobbin case lever shaft |
| 249 Stop screw for No. 9052 | 9082 Bobbin case lever shaft bushing, front |
| 250 Regulating screw for No. 9026 | 9083 Bobbin case lever shaft bushing, rear |
| 390 Fastening screw for No. 9026 | <u>9084</u> Feed lifting connection, complete,
consisting of Nos. 58; 6543; 9085 |
| 604 Binding screw for No. 9080 | 9085 Feed lifting connection |
| 678 Fastening screw for Nos. 61271; 105493 | 9095 Bobbin case lever |
| 688 Fastening screw for No. 9095 | <u>9264</u> Hook, with bobbin case, complete,
consisting of Nos. 790; 9074; 9266, complete;
105491, complete |
| 790 Fastening screw for No. 9264 | <u>9266</u> Bobbin case cap, complete,
consisting of Nos. 249; 250; 390; 2134; 9026;
9048, complete; 9267 |
| 1515 Nut for No. 13 | 9267 Bobbin case cap |
| 2134 Pressure spring for No. 9052 | 61271 Thread pull-off flange |
| 2139 Hinge pin for No. 9029 | <u>105491</u> Hook, complete,
consisting of Nos. 678; 61271; 105492; 105493 |
| 3089 Bobbin case opener connection | 105492 Hook |
| 6543 Feed lifting connection cap | 105493 Hook gib |
| 9026 Tension spring for No. 9267 | |
| 9029 Bobbin case latch lever | |
| <u>9048</u> Bobbin case latch, complete,
consisting of Nos. 2139; 9029; 9052 | |
| 9052 Bobbin case latch slide | |

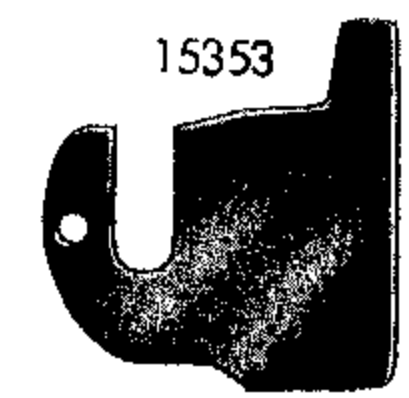
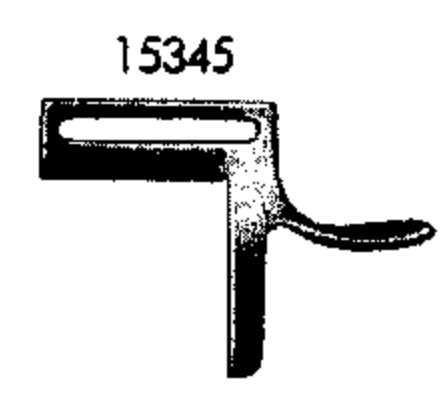
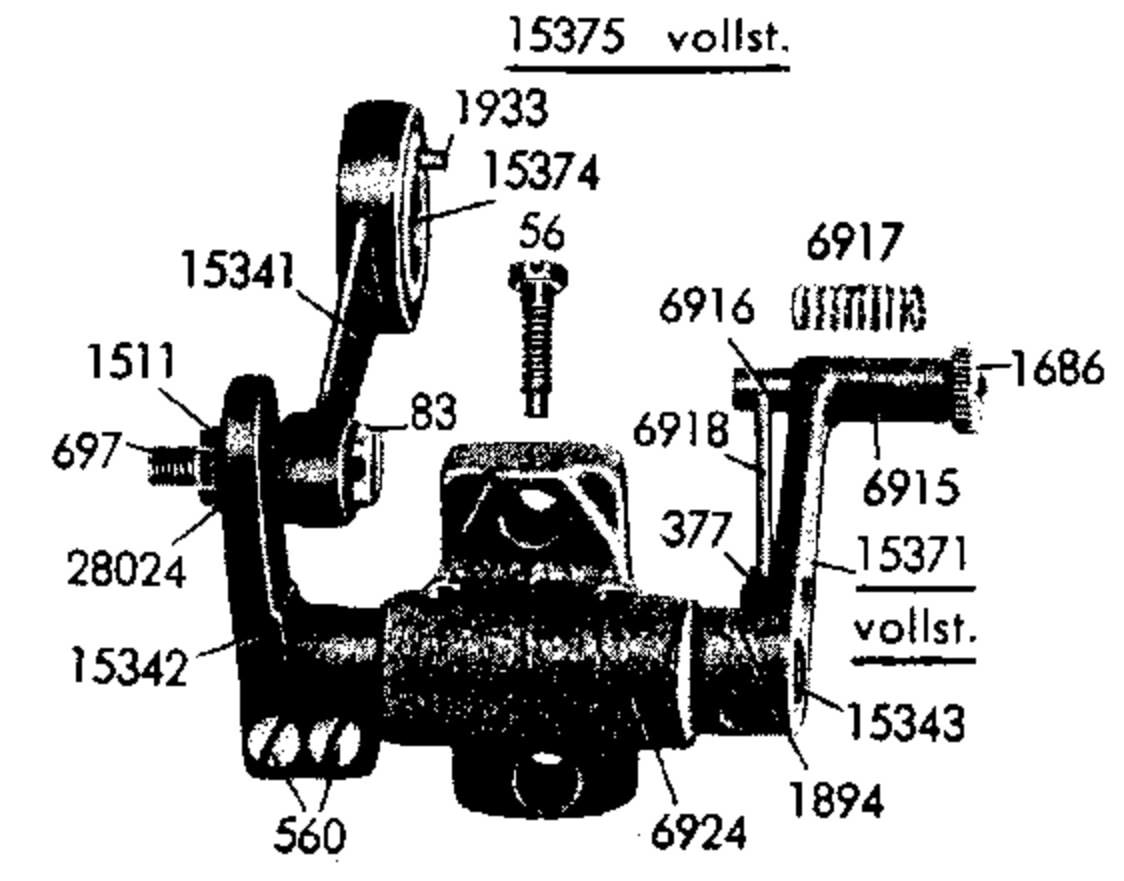
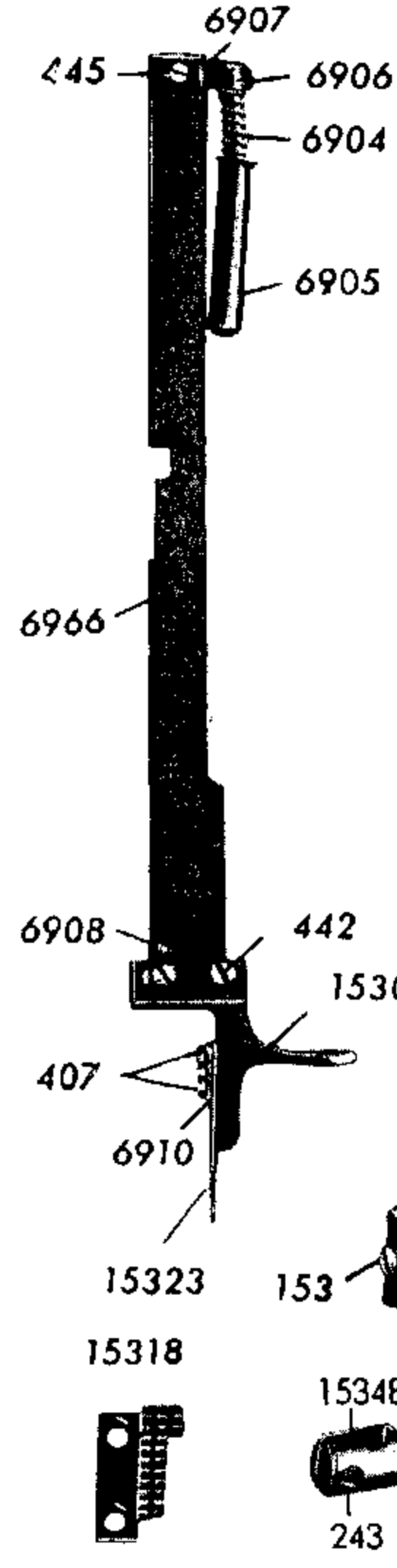
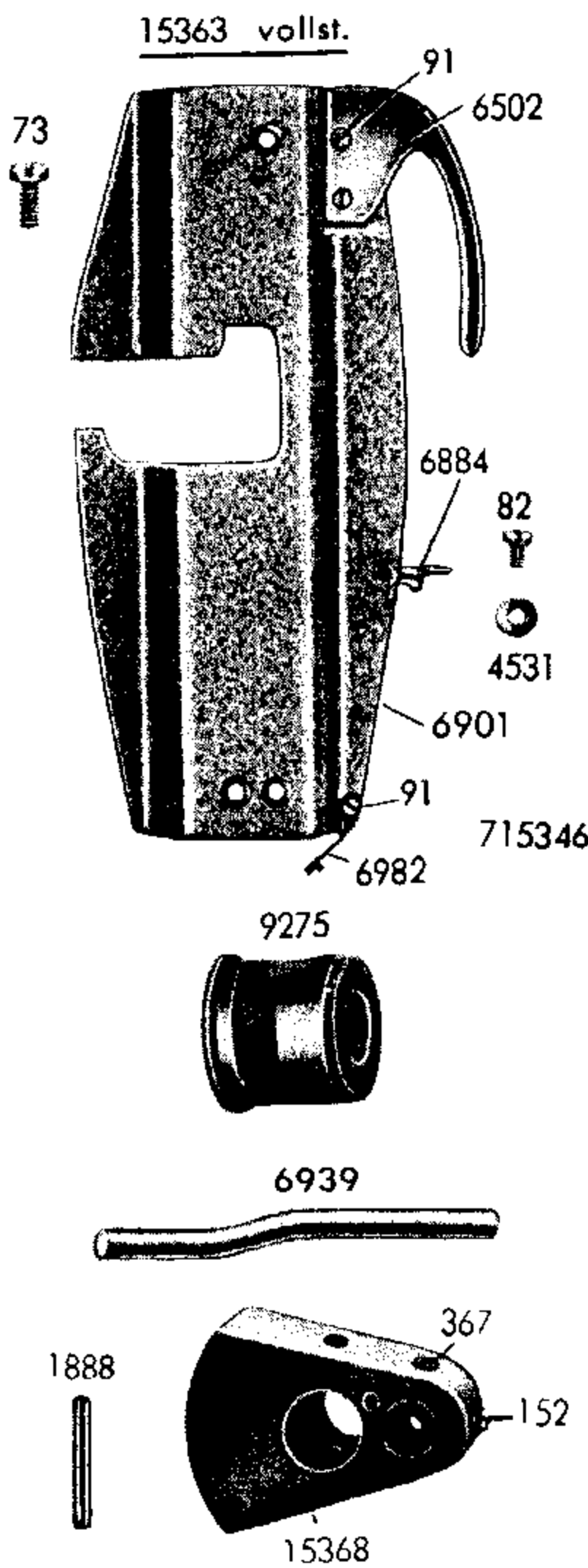
Organizational Parts

PFAFF 134-0-4

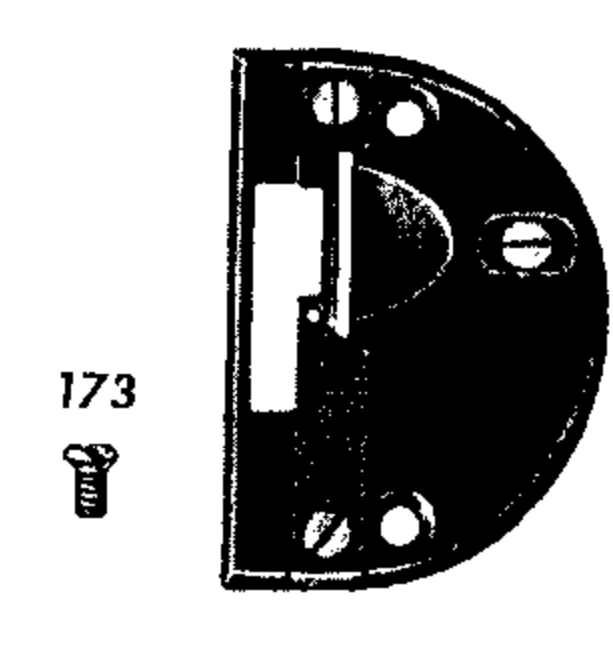
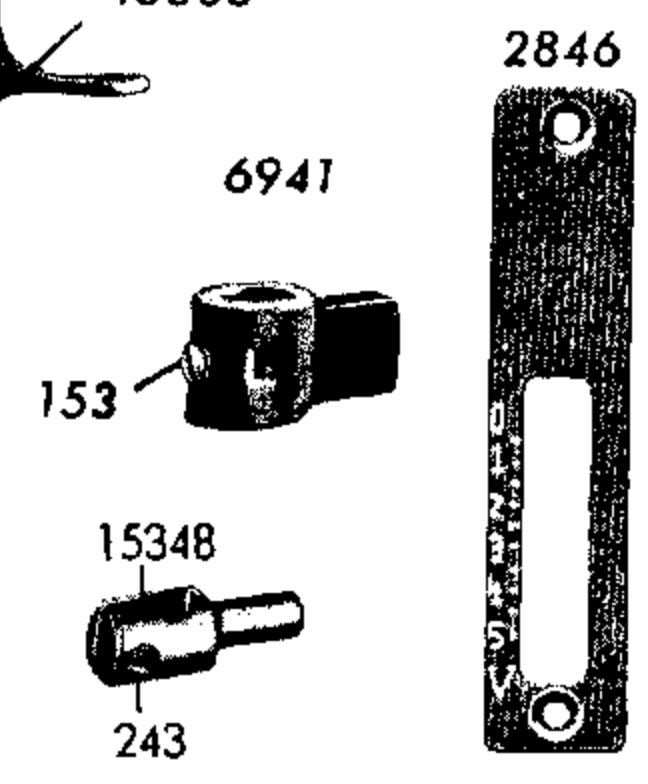
PFAFF 134-0-31



PFAFF 134-0-31



15328 vollstg.



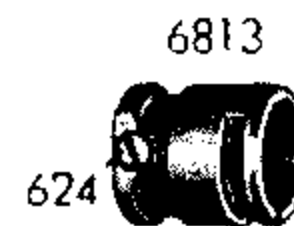
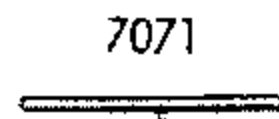
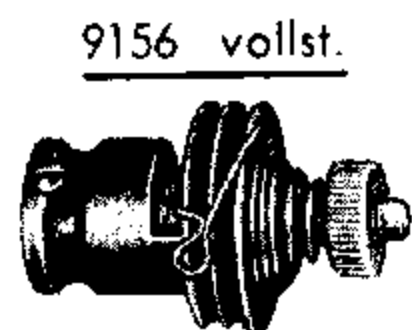
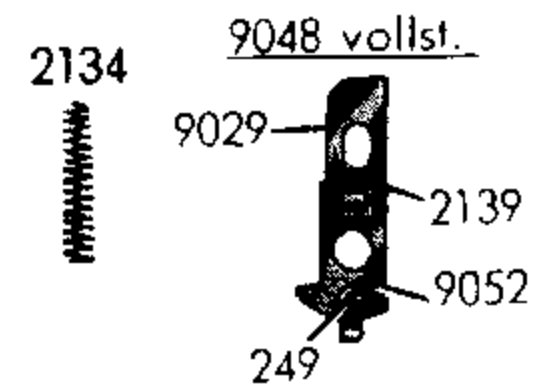
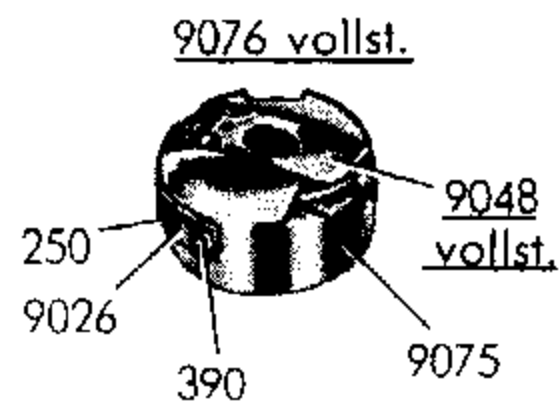
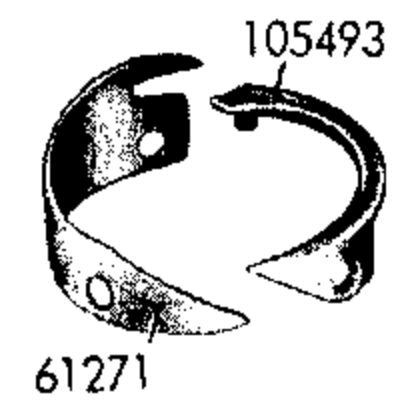
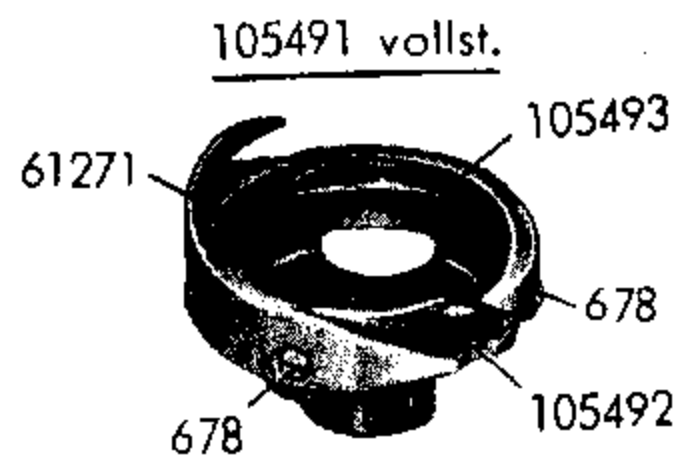
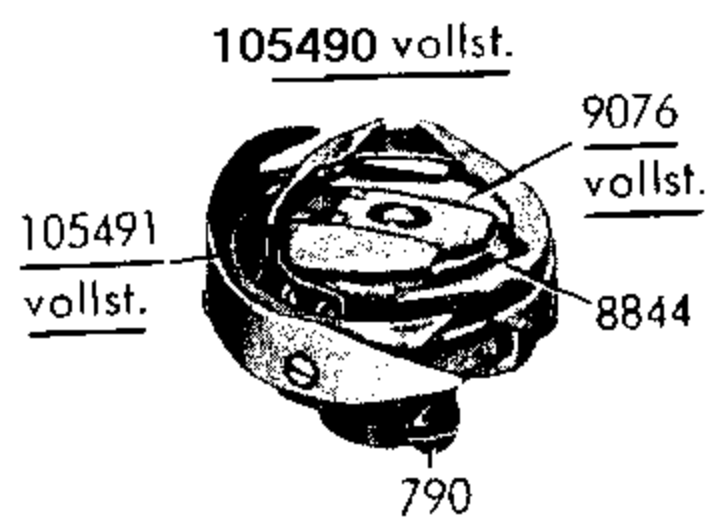
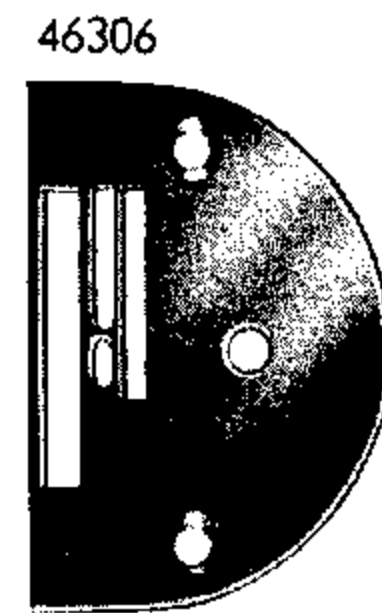
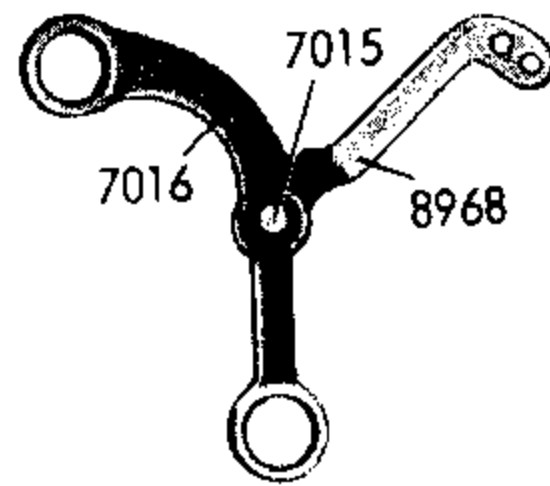
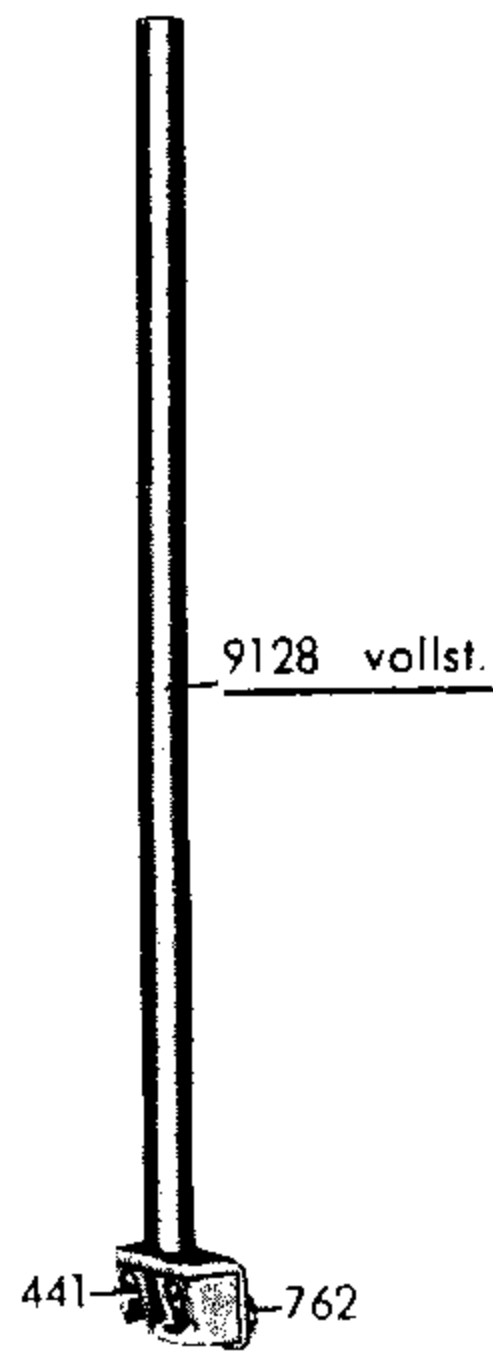
- 409 Plug screw for No. 25379
- 410 Fastening screw for No. 25373
- 717 Fastening screw for No. 51155
- 25373 Position collar for No. 53232
- 25374 Spring stop for No. 409
- 25375 Stop pin for No. 25376
- 25376 Pressure spring for No. 25374
- 25379 Spring stop for No. 51155, complete,
consisting of Nos. 409; 25374; 25375; 25376
- 46397 Needle plate
- 46398 Feed dog, single-row tooth pattern
(sawtooth cut)
- 51155 Roller presser, swing type, $\frac{3}{16}$ " wide,
complete,
consisting of
No. 1027 Set screw
No. 1665 Nut
No. 1927 Roller presser, small
No. 46187 Bearing needles, 16 ea
No. 51153 Roller presser arm
- 53232 Roller presser arm bracket
- 61241 Presser bar

Organizational Parts for the PFAFF 134-0-31 (For standard parts please refer to the PFAFF 134-0-6)

S = Trimming Margin

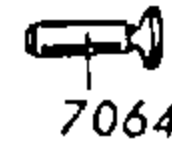
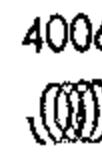
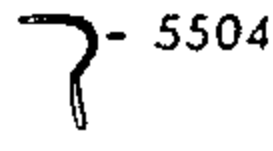
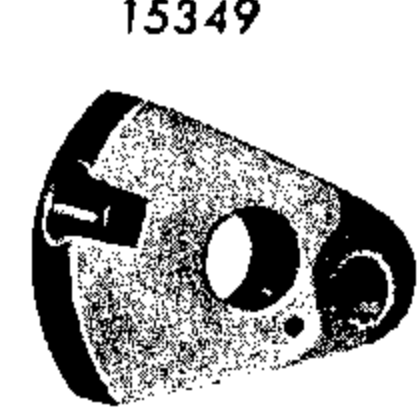
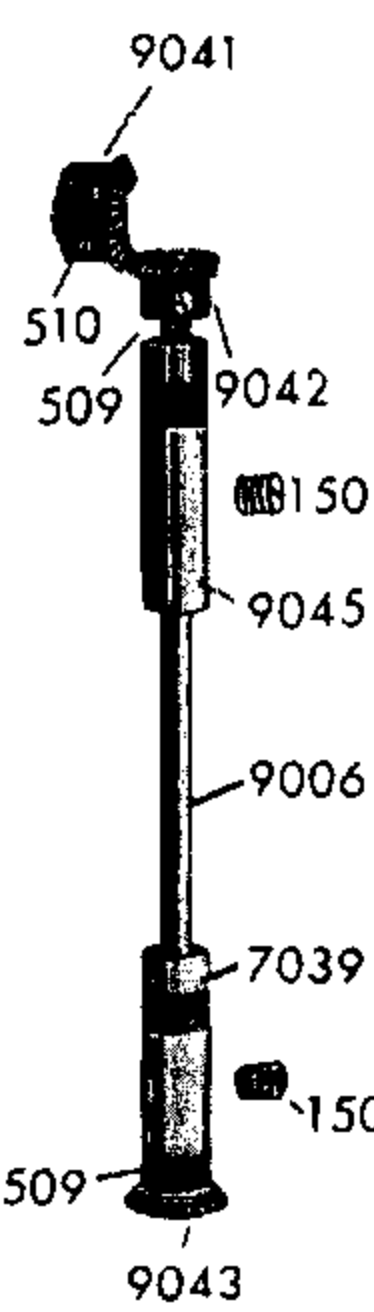
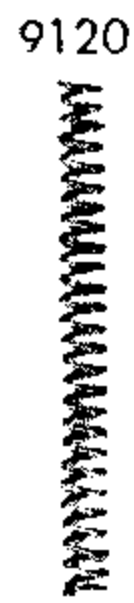
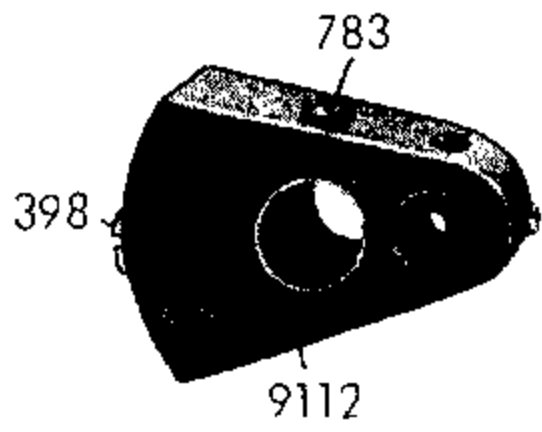
- | | | | |
|----------|--------------------------------------|------------------|----------------------------------------------------------------------------------------------------------------------------|
| 56 | Fastening screw for No. 6924 | 6966 | Knife bar |
| 73 | Fastening screw for No. 15363 | 6982 | Thread guide, lower, for No. 6901 |
| 82 | Fastening screw for No. 6884 | ★ 9275 | Arm shaft bushing, front |
| 83 | End screw for No. 697 | 15308 | Knife holder (up to $\frac{1}{4}$ " trimming margin) |
| 91 | Fastening screw for Nos. 6502; 6982 | 15318 | Feed dog (sawtooth cut) |
| 152 | Fastening screw for take-up crank | 15322 x S | Presser foot, with lateral thread slot |
| 153 | Fastening screw for No. 6941 | 15323 | Knife ($\frac{15}{64}$ " and $\frac{9}{32}$ " length of cutting edge) |
| 173 | Fastening screw for No. 15328 | <u>15328 x S</u> | Needle plate, with sharpening ridge,
complete, consisting of |
| 225 | Fastening screw for No. 15347 | | No. 730 Fastening screw
for Nos. 15320; 15321 |
| ★ 243 | Binding screw for No. 15348 | | No. 15319 Needle plate |
| ★ 700288 | Needle set screw | | No. 15320 Needle plate insert |
| 367 | Set screw for take-up crank | | No. 15321 Knife guide |
| 377 | Fastening screw for No. 6918 | 15341 | Knife driving eccentric connection |
| 407 | Fastening screw for Nos. 6910; 15323 | 15342 | Knife driving eccentric connection crank,
rear |
| 442 | Fastening screw for No. 15308 | 15343 | Knife drive shaft for No. 6924 |
| 445 | Fastening screw for No. 6907 | 15345 | Knife holder
(exceeding $\frac{1}{4}$ " trimming margin) |
| 560 | Binding screw for No. 15342 | 715346 | Needle bar |
| 697 | Stud, threaded, for No. 1511 | 15347 | Needle bar bushing, upper |
| ★ 1511 | Nut for No. 697 | 15348 | Needle bar connecting stud |
| ★ 1686 | Nut for No. 6916 | 15353 | Oil retainer, front |
| 1888 | Position pin for No. 15368 | <u>15363</u> | Face plate, complete,
consisting of Nos. 82; 91; 4531; 6502; 6884;
6901; 6982 |
| ★ 1894 | Crank pin, slotted, for No. 15343 | ★ 15368 | Needle bar crank |
| ★ 1933 | Pin for No. 15374 | <u>15371</u> | Knife bar driving crank, complete,
consisting of Nos. 377; 1686; 1894; 6915;
6916; 6917; 6918; 15343 |
| 2846 | Feed regulator index plate | ★ 15374 | Knife driving eccentric |
| 4531 | Washer for No. 82 | ★ 15375 | Knife drive mechanism, complete,
consisting of Nos. 83; 697; 1511; 6924; 15341;
15342; 15371, complete; 15374; 28024 |
| 6502 | Take-up lever guard | 28024 | Washer for No. 1511 |
| 6884 | Thread guide, upper, for No. 6901 | | |
| 6901 | Face plate | 15301 | Arm (w/o ill.) |
| 6904 | Pressure spring for No. 6905 | 9013 | Bed plate (w/o ill.), with 4 arm screws No. 352
and 2 dowel pins No. 6531 |
| 6905 | Cap for No. 6906 | | |
| 6906 | Guide pin for Nos. 6904; 6905 | | |
| 6907 | Spring suspension bracket | | |
| 6908 | Stop pin for No. 6966 | | |
| 6910 | Knife holder washer for No. 15323 | | |
| 6915 | Knife bar driving crank, front | | |
| 6916 | Knife bar driving stud | | |
| 6917 | Pressure spring for No. 6916 | | |
| 6918 | Driving stud release | | |
| 6924 | Bearing bracket | | |
| 6939 | Lifting lever pin | | |
| 6941 | Presser bar guide collar | | |

Organizational Parts
PFAFF 134-0-92



249	Stop screw for No. 9052	9026	Tension spring for No. 9075
250	Regulating screw for No. 9026	9029	Bobbin case latch lever
256	Tension stud	9048	Bobbin case latch, complete, consisting of Nos. 2139; 9029; 9052
390	Fastening screw for No. 9026	9052	Bobbin case latch slide
441	Needle set screw	9075	Bobbin case cap
624	Fastening screw for No. 256	9076	Bobbin case cap, complete, consisting of Nos. 249; 250; 390; 2134; 9026; 9048, complete; 9075
678	Fastening screw for Nos. 61271; 105493	9128	Needle bar, with adjustable needle holder
762	Fastening screw for needle clamp jaws	9156	Thread tension, complete, consisting of Nos. 256; 624; 1522; 2061; 2065; 6813; 6814; 7071; 9157; 9158; 10181
790	Fastening screw for No. 105491	9157	Tension disc
1522	Thumb nut for No. 256	9158	Thread guide
2061	Tension spring	9268	Hook, with bobbin case, complete, consisting of Nos. 790; 8844; 9076, complete; 105491, complete
2065	Tension disc	10181	Tension release washer
2134	Pressure spring for No. 9052	46306	Needle plate
2139	Hinge pin for No. 9029	61271	Thread pull-off flange
6813	Thread check spring regulator	105491	Hook, complete, consisting of Nos. 678; 61271; 105492; 105493
6814	Thread check spring	105492	Hook
7015	Take-up lever hinge pin	105493	Hook gib
7016	Take-up lever link		
7071	Tension release plunger		
8844	Bobbin case base		
8968	Take-up lever		

**Obsolete Parts
PFAFF 134**



15361 vollstg.

9019 vollstg.

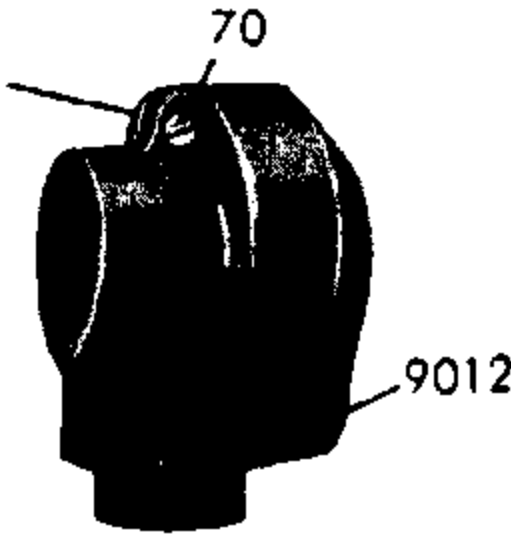
9078 vollst.



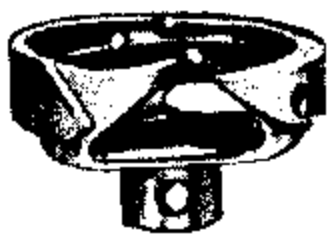
8897



9011



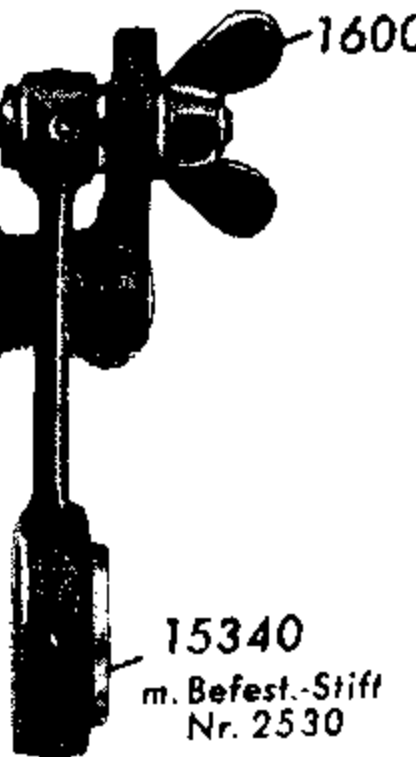
9068



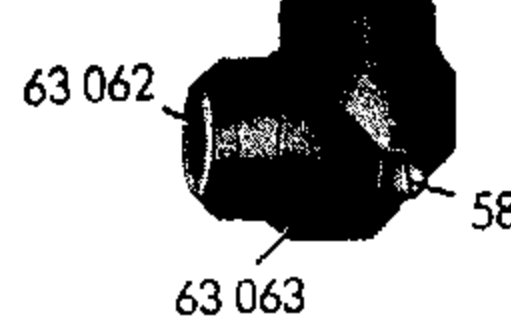
1548



15340 m. Befest.-Stiff Nr. 2530



63061 vollst.



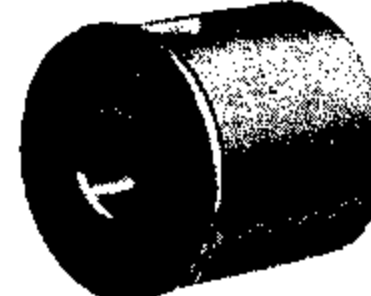
9107



63067



15339



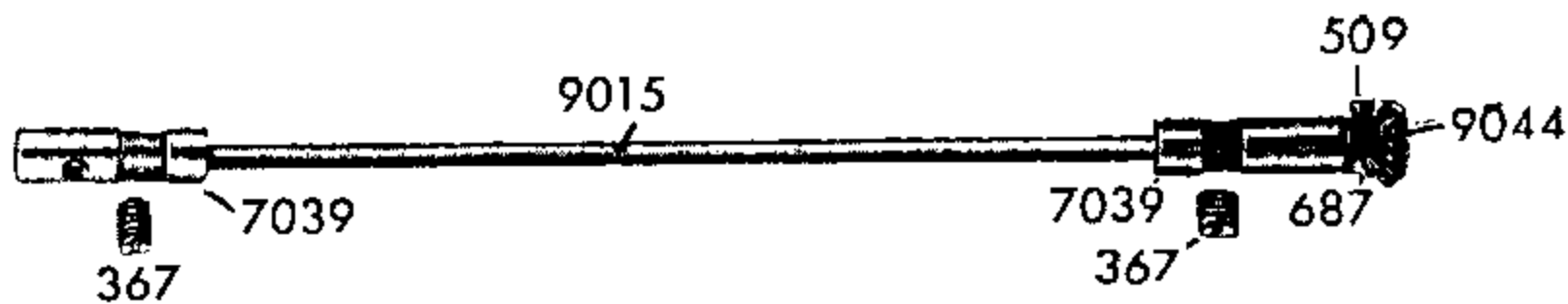
9090



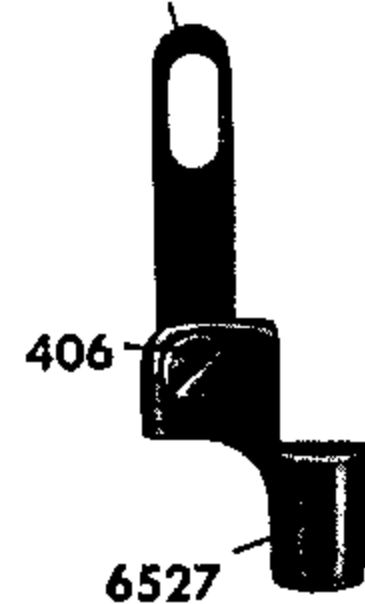
9002



9015



6528



- 68 Binding screw for No. 6578
- 150 Fastening screw for Nos. 7039; 9045 (replaced by No. 367)
- 152 Fastening screw for No. 9606 (replaced by No. 740)
- 197 Fastening screw for No. 6007 (not replaced)
- 243 Binding screw for No. 7011 (replaced by No. 486)
- 298 Hinge screw for No. 2571
- 398 Set screw for No. 9112
- 402 End screw for No. 7013 (replaced by No. 1317)
- 406 Fastening screw for No. 6528
- 486 Fastening screw for No. 6821 (replaced by No. 699)
- 509 Fastening screw for Nos. 9042; 9043; 9044
- 543 Needle set screw
- 687 Fastening screw for No. 9044 (replaced by No. 680)
- 783 Fastening screw for No. 9112
- 785 Fastening screw for No. 15348
- 1512 Nut for No. 298 (not replaced)
- 1548 Nut for No. 6916
- 1600 Wing nut for No. 697 (replaced by No. 1511)
- 1888 Position pin for No. 9180
- 2025 Needle holder
- 2044 Pin for No. 15343
- 2148 Spring washer for No. 2279
- 2279 Pin, notched, for No. 2504
- 2530 Pin for No. 15340
- 4005 Thread retainer sleeve
- 4006 Thread retainer spring
- 5504 Thread guide
- 6007 Needle bar thread guide for presser foot, No. 9087 for roller presser (w/o ill.)
- 6158 Oil cup (replaced by No. 18357)
- 6527 Presser bar lifting bracket (replaced by No. 6758)
- 6528 Presser bar lifting lever link
- 7039 Vertical shaft bushing, lower ($\frac{9}{32}$ " inside diameter)
- 7064 Thread retainer stud (replaced by No. 9035)
- 8081 Oil cup for No. 19530 (replaced by No. 18357)
- 8204 Feed regulator tension spring (replaced by No. 9260)
- 8897 Hook gib
- 9002 Arm shaft
- 9006 Vertical shaft ($\frac{9}{32}$ " outside diameter)
- 9011 Bevel gear case section for No. 9019
- 9012 Bevel gear case section, with threaded borehole, for No. 9019
- 9015 Hook shaft ($\frac{9}{32}$ " outside diameter)
- 9019 Bevel gear case, upper, complete (replaced by No. 63058 complete)
- 9041 Arm shaft bevel gear ($\frac{37}{64}$ " inside diameter)
- 9042 Vertical shaft bevel gear, upper ($\frac{9}{32}$ " inside diameter)
- 9043 Vertical shaft bevel gear, lower ($\frac{9}{32}$ " inside diameter)
- 9044 Hook shaft bevel gear ($\frac{9}{32}$ " inside diameter)
- 9045 Vertical shaft bushing, upper ($\frac{9}{32}$ " inside diameter)
- 9068 Hook
- 9078 Hook, with bobbin case, complete (replaced by No. 9191 complete)
- 9090 Oil tube for No. 63054 (replaced by No. 9273)
- 9107 Arm shaft bushing, front
- 9110 Needle bar (replaced by No. 6767)
- 9112 Needle bar crank
- 9120 Presser bar spring, inner
- 15339 Arm shaft bushing, front
- 15340 Knife driving eccentric
- 15349 Needle bar crank for the PFAFF 134-0-31
- 15361 Knife drive mechanism, complete (replaced by No. 15375 complete)
- 60201 Cotter pin for No. 25164
- 63057 Vertical shaft bushing, upper (replaced by No. 9186)
- 63061 Bevel gear case, complete (replaced by No. 19525 complete)
- 63062 Bevel gear case section for No. 63061
- 63063 Bevel gear case section, with threaded borehole, for No. 63061
- 63067 Hook shaft bushing, front and rear (replaced by No. 19530)

Numerical Index

134	1	134	2	134	3	134	4	134	5	134	6
	Nr. Fig.		Nr. Fig.		Nr. Fig.		Nr. Fig.		Nr. Fig.		Nr. Fig.
	11 II		153 I		298 II		442 VI		762 VII		1759 III
	13 V		153 IV		+ 298 VIII		445 VI		+ 783 VIII		1888 VI
	29 IV		153 VI		321 II		486 I		785 II		+ 1888 VIII
	56 VI		172 II		323 II		+ 486 VIII		+ 785 VIII		1894 VI
	58 II		173 III		359 IV		507 I		790 III		1933 VI
	58 III		173 VI		363 IV		+ 509 VIII		790 VII		1954 II
	58 V		186 IV		364 IV		510 II		790 V		1962 I
	62 IV		+ 197 VIII		366 IV		511 II		807 II		2008 I
	68 II		225 VI		367 I		511 III		1109 I		+ 2025 VIII
	+ 68 VIII		226 III		367 II		+ 543 VIII		1317 I		+ 2044 VIII
	70 II		237 IV		367 III		560 III		1416 IV		2053 III
	72 II		239 I		367 IV		560 VI		1417 IV		2061 VII
	73 I		239 III		367 VI		604 V		1435 IV		2065 I
	73 VI		239 IV		377 VI		624 I		1459 IV		2065 VII
	74 IV		243 IV		388 IV		624 VII		1473 IV		2134 III
	78 IV		243 VI		390 III		672 II		1511 VI		2134 V
	82 IV		+ 243 VIII		390 V		678 III		1512 II		2134 VII
	82 VI		249 III		390 VII		678 V		1512 III		2139 III
	83 VI		249 V		+ 398 VIII		678 VII		+ 1512 VIII		2139 V
	87 I		249 VII		401 IV		680 II		1513 IV		2139 VII
	91 VI		250 III		+ 402 VIII		680 III		1515 V		+ 2148 VIII
	112 IV		250 V		406 II		+ 687 VIII		1522 I		2158 I
	139 III		250 VII		+ 406 VIII		688 V		1522 VII		2160 III
	150 II		256 I		407 III		697 VI		1533 IV		2161 III
	150 V		256 VII		407 VI		699 I		+ 1548 VIII		2164 III
	+ 150 VIII		273 IV		409 VI		713 III		1593 II		2177 II
	152 I		284 I		410 VI		717 VI		+ 1600 VIII		2203 IV
	152 VI		700288 VI		412 III		737 IV		1686 VI		2204 IV
	+ 152 VIII		290 III		441 VII		740 II		1758 III		2205 IV

+ = Obsolete Parts

134	7	134	8	134	9	134	10	134	11	134	12
	Nr. Fig.		Nr. Fig.		Nr. Fig.		Nr. Fig.		Nr. Fig.		Nr. Fig.
	+ 2279 VIII		5567 IV		6574 III		6814 I		7014 I		+ 9015 VIII
	2504 II		5568 IV		6576 III		6814 VII		7015 I		+ 9019 VIII
	+ 2530 VIII		5569 IV		6578 III		6815 I		7015 VII		9026 III
	2536 IV		5604 I		6584 I		6818 I		7016 I		9026 V
	2542 III		5604 II		6589 IV		6820 I		7016 VII		9026 VII
	2571 II		5608 IV		6590 IV		6821 I		+ 7039 VIII		9029 III
	2844 II		5609 IV		6591 IV		6882 V		7053 I		9029 V
	2845 II		5622 IV		6595 IV		6883 V		+ 7064 VIII		9029 VII
	2846 VI		+ 6607 VIII		6596 IV		6884 VI		7071 VII		9033 III
	2848 II		6155 II		6611 I		6885 II		+ 8081 VIII		9034 III
	3089 V		+ 6158 VIII		6616 I		6901 VI		8199 I		9035 I
	+ 4005 VIII		6501 I		6616 II		6904 VI		+ 8204 VIII		+ 9041 VIII
	+ 4006 VIII		6502 I		6617 I		6905 VI		8564 V		+ 9042 VIII
	4068 II		6502 VI		6617 II		6906 VI		8617 II		+ 9043 VIII
	4168 IV		6511 I		6632 I		6907 VI		8618 I		+ 9044 VIII
	4169 IV		6513 I		6638 I		6908 VI		8618 II		+ 9045 VIII
	4170 IV		6514 I		6639 I		6910 VI		8645 V		9048 III
	4171 IV		6524 I		6640 I		6915 VI		8653 V		9048 V
	4172 IV		6525 I		6645 I		6916 VI		8844 VII		9048 VII
	4173 IV		6526 I		6716 III		6917 VI		+ 8897 VIII		9052 III
	4531 I		+ 6527 VIII		6717 III		6918 VI		8968 VII		9052 V
	4531 VI		+ 6528 VIII		6758 I		6924 VI		+ 9002 VIII		9052 VII
	4555 II		6539 II		6759 II		6939 VI		+ 9006 VIII		9054 III
	5005 IV		6542 II		6767 I		6941 VI		9007 I		+ 9068 VIII
	5125 IV		6543 II		6770 I		6966 VI		9008 II		9074 V
	+ 5504 VIII		6543 V		6805 III		6982 VI		+ 9011 VIII		9075 VII
	5544 I		6544 II		6806 III		7011 I		+ 9012 VIII		9076 VII
	5564 IV		6548 I		6813 I		7012 I		9013 II		+ 9078 VIII
	5565 IV		6553 II		6813 VII		7013 I		9013 VI		9080 V

Numerical Index

134 13	134 14	134 15	134 16	134 17	134 18
Nr. Fig.	Nr. Fig.	Nr. Fig.	Nr. Fig.	Nr. Fig.	Nr. Fig.
9081 V	9224 II	15342 VI	25170 IV	29601 IV	46569 IV
9082 V	9237 II	15343 VI	25182 IV	30246 IV	46570 IV
9083 V	9244 I	15345 VI	25186 IV	30743 IV	46571 IV
9084 V	9260 II	715346 VI	25187 IV	31411 IV	46682 I
9085 V	9264 V	15347 VI	25194 IV	35461 IV	46694 IV
+ 9090 VIII	9266 III	15348 VI	25373 VI	40618 IV	46728 IV
9095 V	9266 V	+ 15349 VIII	25374 VI	40619 IV	46861 I
9100 I	9267 III	15353 VI	25375 VI	40621 IV	47106 V
+ 9107 VIII	9267 V	+ 15361 VIII	25376 VI	40623 IV	48277 V
9109 II	9268 VII	15363 VI	25379 VI	41060 IV	51155 VI
+ 9110 VIII	9273 II	15368 VI	25911 IV	41061 IV	51317 V
9111 I	9274 II	15371 VI	25974 IV	41063 IV	53232 VI
+ 9112 VIII	9275 VI	15374 VI	25976 IV	41065 IV	+ 60201 VIII
9118 I	9606 II	15375 VI	25977 IV	41066 IV	61044 II
9119 I	9609 II	18357 II	26110 IV	41067 IV	61045 II
+ 9120 VIII	9610 II	18357 III	26179 IV	41068 IV	61073 II
9128 VII	10107 IV	19525 III	26271 III	41072 IV	61074 III
9144 II	10181 I	19526 III	26272 III	41076 IV	61131 III
9148 II	10181 VII	19527 III	26414 IV	41085 IV	61197 II
9149 III	14911 III	19530 III	27201 IV	44195 IV	61241 VI
9155 II	15301 VI	25054 IV	27204 IV	46180 IV	61271 III
9156 VII	15308 VI	25056 IV	27205 IV	46182 IV	61271 V
9157 VII	15318 VI	25060 IV	27271 IV	46306 VII	61271 VII
9158 VII	15322 VI	25075 IV	28024 VI	46397 VI	61307 II
9180 I	15323 VI	25076 IV	28599 IV	46398 VI	63054 II
9184 II	15328 VI	25077 IV	29030 II	46565 IV	64021 IV
9186 II	+ 15339 VIII	25164 IV	29092 II	46566 IV	+ 63057 VIII
9191 III	+ 15340 VIII	25165 IV	29140 II	46567 IV	63058 II
9193 III	15341 VI	25169 IV	29518 IV	46568 IV	63059 II

Numerical Index

134 19	134 20	134 21	134 22	134 23	134 24
Nr. Fig.	Nr. Fig.	Nr. Fig.	Nr. Fig.	Nr. Fig.	Nr. Fig.
63060 II					
+ 63061 VIII					
+ 63062 VIII					
+ 63063 VIII					
63064 III					
63065 III					
63066 III					
+ 63067 VIII					
63119 III					
63139 II					
64021 IV					
80233 IV					
105491 III					
105491 V					
105491 VII					
105492 III					
105492 V					
105492 VII					
105493 III					
105493 V					
105493 VII					

+ = Obsolete Parts

