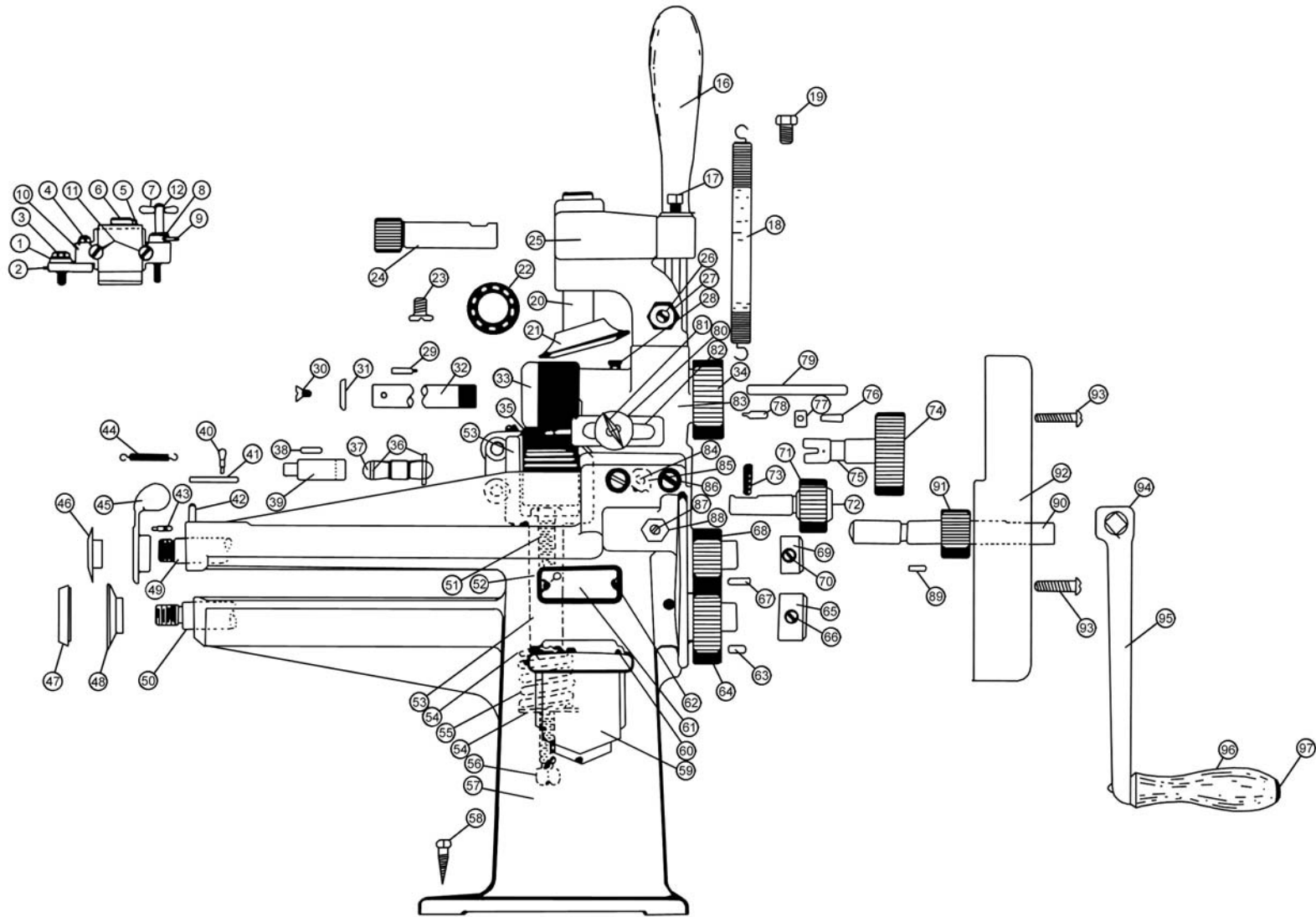


Landis or American 5 in 1 Cutter



Shoe Systems Plus, Inc. 800-354-6278

Reference No.	Part Name	Part No.	Number Required
1	Knife Table Link Eccentric	CSW-20K	1
2	Knife Table Link	CSW-20H	1
3	Knife Table Link Eccentric Screw	CSW-20L	1
4	Knife Table Link Screw	CSW-20J	1
5	Skiver Knife	CSW-20E	1
6	Knife Adjustment Screw	CSW-20G	1
7	Knife Table Long Eccentric Screw Pin	CSW-20D	1
8	Knife Table Long Eccentric	CSW-20A	1
9	Knife Table Long Eccentric Pin	CSW-20B	1
10	Knife Table	CSW-20	1
11	Knife Fastening Screw	CSW-20F	2
12	Knife Table Long Eccentric Screw	CSW-20C	1
16	Welt Roller Handle	CSW-28	1
17	Welt Roller Handle Set Screw	CSW-28A	1
18	Welt Roller Handle Spring	CSW-A29	1
19	Welt Roller Bracket Retaining Screw	CSW-26A	2
20	Welt Roller Rack	CSW-27C	1
21	Welt Roller	CSW-27	1
22	Welt Roller Ball Bearing	CSW-27A	1
23	Welt Roller Ball Bearing Screw	CSW-27B	1
24	Welt Roller Pinion Shaft	CSW-28B	1
25	Welt Roller Bracket	CSW-26	1
26	Welt Roller Pinion Stop Screw	CSW-28C	1
27	Welt Roller Stop Screw Nut	CSW-28D	1
28	Oil Cup	CSW-15B	1
29	Skiver Top Roll Key	CSW-16B	1
30	Skiver Top Roll Retaining Screw	CSW-16D	1
31	Skiver Top Roll Retaining Washer	CSW-16C	1
32	Skiver Top Roll Shaft	CSW-16A	1
33	Skiver Top Roll	CSW-16	1
34	Skiver Top Roll Shaft Gear	CSW-16E	1
35	Skiver Bottom Roll	CSW-17	1
36	Skiver Bottom Roll Driving Link Pin	CSW-17D	2
37	Skiver Bottom Roll Driving Link	CSW-17C	1
38	Skiver Bottom Roll Key	CSW-17B	1
39	Skiver Bottom Roll Shaft	CSW-17A	1
40	Guard Latch Plunger Handle	CSW-7D	1
41	Guard Latch Plunger	CSW-7C	1
42	Guard Stop Pin (in Frame)	CSW-7F	1
43	Guard Spring Post (in Guard)	CSW-7A	1
44	Guard Spring	CSW-7B	1
45	Sole Cutter Blade Guard	CSW-7	1
46	Sole Cutter Blade	CSW-6	1
47	Sole Cutter Work Support Roll	CSW-10	1
48	Sole Cutter Feed Wheel	CSW-9	1
49	Sole Cutter Blade Shaft	CSW-2	1
50	Sole Cutter Feed Wheel Shaft	CSW-3	1

Reference No.	Part Name	Part No.	Number Required
51	Skiver Fork Adjusting Screw	CSW-19A	1
52	Skiver Fork Adjusting Screw Nut	CSW-19B	1
53	Skiver Fork	CSW-19	1
54	Skiver Fork Pressure Spring Cup Washer	CSW-19D	2
55	Skiver Fork Pressure Spring	CSW-19C	1
56	Skiver Fork Pressure Spring Adjustment Screw	CSW-19E	1
57	Combination Cutter, Skiver, Trimmer & Welt Roller Frame	CSW-1	1
58	Frame to Bench Fastening Screw	CSW-1A	4
59	Name Plate	CSW-32	1
60	Name Plate Fastening Screw	CSW-32A	3
61	Serial Number Plate	CSW-34	1
62	Serial Number Plate Fastening Screw	CSW-34A	2
63	Feed Wheel Shaft Pinion Key	CSW-3B	1
64	Feed Wheel Shaft Pinion	CSW-3A	1
65	Feed Wheel Shaft Pinion Retaining Collar	CSW-3C	1
66	Feed Wheel Shaft Pinion Retaining Collar Set Screw	CSW-3D	2
67	Blade Shaft Pinion Key	CSW-2B	1
68	Blade Shaft Pinion	CSW-2A	1
69	Blade Shaft Pinion Retaining Collar	CSW-2C	1
70	Blade Shaft Pinion Retaining Collar Set Screw	CSW-2D	2
71	Idler Gear	CSW-5B	1
72	Idler Gear Stud	CSW-5	1
73	Idler Gear Stud Set Screw	CSW-5A	1
74	Bottom Gear	CSW-18D	1
75	Bottom Gear Shaft	CSW-18	1
76	Bottom Gear Key	CSW-18E	1
77	Bottom Gear Shaft Retaining Shoe	CSW-18A	1
78	Top Roll Shaft Gear Key	CSW-16F	1
79	Welt Roller Spring Post	CSW-29A	1
80	Skiver Work Gauge Washer	CSW-15D	1
81	Skiver Work Gauge Screw	CSW-15E	1
82	Skiver Work Gauge	CSW-15C	1
83	Skiver Head	CSW-15	1
84	Bottom Gear Shaft Retaining Shoe Screw	CSW-18B	1
85	Bottom Gear Shaft Retaining Shoe Screw Nut	CSW-18C	1
86	Skiver Head Fastening Screw	CSW-15A	2
87	Hand Crank Shaft Retaining Screw	CSW-4A	1
88	Hand Crank Shaft Retaining Screw Nut	CSW-4B	1
89	Hand Crank Pinion Key	CSW-4J	1
90	Hand Crank Shaft	CSW-4	1
91	Hand Crank Pinion	CSW-4H	1
92	Gear Guard	CSW-23	1
93	Gear Guard Fastening Screw	CSW-23A	4
94	Hand Crank Set Screw	CSW-4D	1
95	Hand Crank	CSW-4C	1
96	Hand Crank Handle	CSW-4E	1
97	Hand Crank Handle Pin	CSW-4F	1